

GLASS DOOR BRACKET

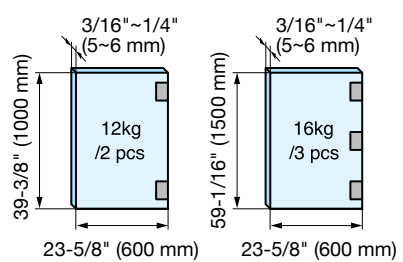
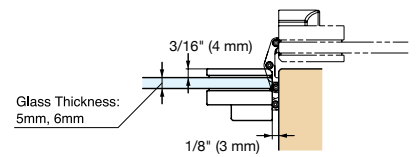
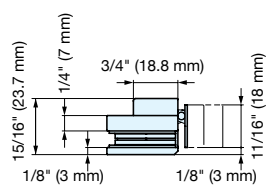


HES3D-G90BKT

- Glass door bracket for HES3D-90 series.
- Hinge is completely hidden when looking through the glass.
- Screw covers match the bracket with the hinge finish.
- Glass thickness: 3/16" ~ 1/4" (5 ~ 6 mm).

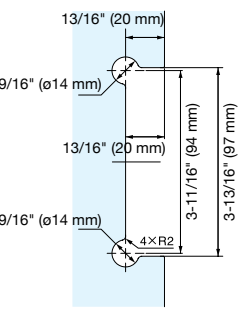
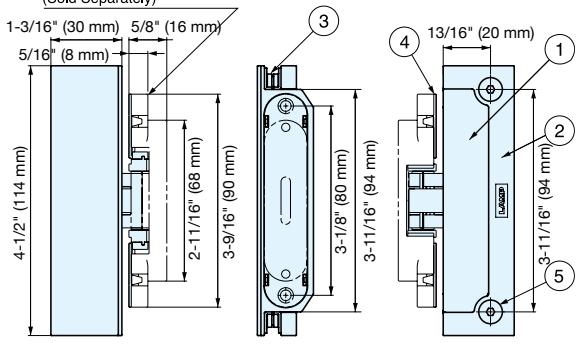


HES3D-G90BKT-CR Chrome HES3D-G90BKT-GP Gold HES3D-G90BKT-BL Black



Door Dimensions and Number of Hinges

Concealed Hinge HES3D-90 (Sold Separately)



Cut Out Dimensions

No.	Part Name	Material	Finish
①	Body	Zinc Alloy	Chrome, Gold Plating, Black
②	Back Plate		
③	Gasket	Chloroprene Rubber	
④	Screw Cover	ABS	
⑤	Hexagon Socket Countersunk Head	Steel	

Item No.	Finish
HES3D-G90BKT-CR	Chrome
HES3D-G90BKT-GP	Gold
HES3D-G90BKT-BL	Black