

# 3-WAY ADJUSTABLE CONCEALED HINGE



# HES3D-E160



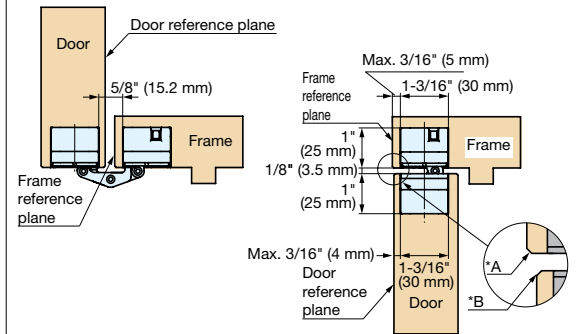
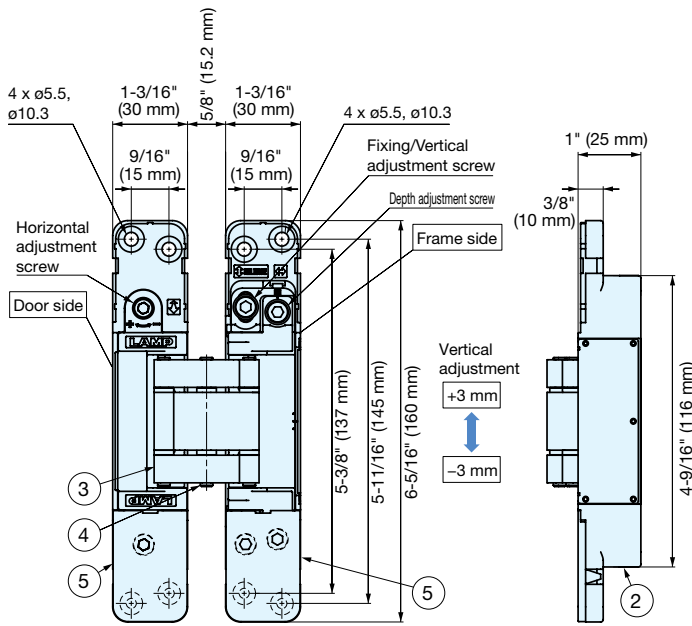
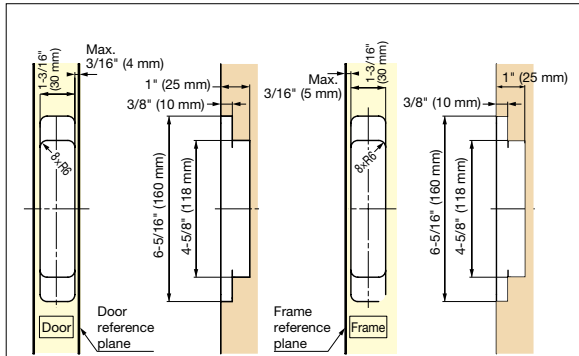
HES3D-E160DC

HES3D-E160DN

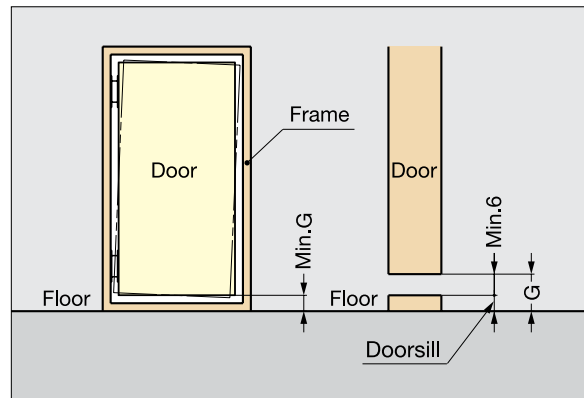
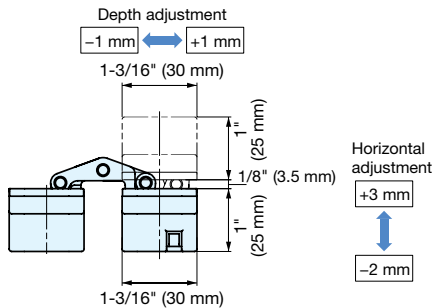
HES3D-E160BL

- Easy installation with symmetrical leaves and lift-off feature.
- 3-WAY adjustment function allows vertical, horizontal, and depth adjustment after hinge installed.
- Door Weight Capacity: Max. 121 lbs (55 kg)/2 pcs, 154 lbs (70 kg)/3 pcs
- Compatible with 1-3/4" (44 mm) Door Thickness
- Actual Specified Door Thickness: Min. 1-7/16" (36 mm)
- Max. Door Dimensions: H 94-1/2" x W 35-7/16" (H 2400 mm x W 900 mm)
- Successfully passed 300,000 open/ close private cycle tests.

### Bore Dimensions



\*Chamfer the marked part with C1, R1 or a larger value.



To determine the door and frame dimension, (G) must be taken into account.  
G = Min. 6 mm + doorsill

Item No.	Weight (g)	Box (pcs)	Carton (pcs)	Finish/Color
HES3D-E160DC	760	2	12	Dull Chrome
HES3D-E160DN				Dull Nickel
HES3D-E160BL				Black

No.	Part Name	Material	Finish/Color
①	Body	Zinc Alloy	Dull Chrome (DC), Dull Nickel (DN), Black (BL)
②	Base Frame		
③	Arm	Aluminum	-
④	Pin	304 Stainless Steel	
⑤	Cover	ABS	Dull Chrome (DC), Dull Nickel (DN), Black (BL)