

HEAVY DUTY SOFT-DOWN STAY



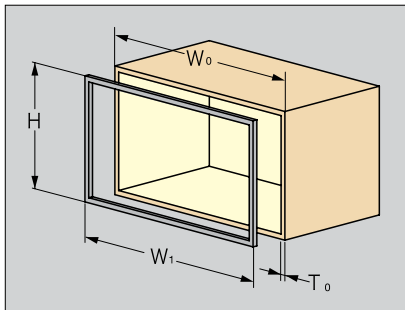
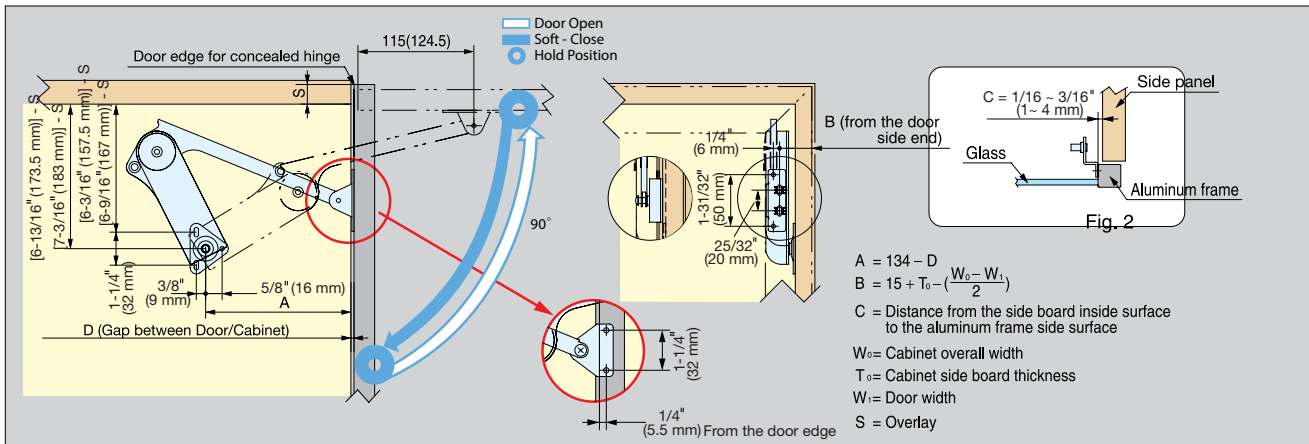
HDSN-30



- For UPWARD-OPENING FLAP DOOR used with concealed hinges.
- Used in pairs.
- HDSN-30 is designed to hold door in closed and opened position.
- Arm bracket for wood and aluminum frame available. Specify when ordering.
- Torque Calculation:
Torque = Door Height × 1/2 × Door Weight
In case of opening angle 90°
- K-Type (Light Duty):
140~179 kg·cm (122~155 lbs·inch)/pair
- M-Type (Medium Duty):
180~219 kg·cm (156~190 lbs·inch)/pair
- H-Type (Heavy Duty):
220~259 kg·cm (191~225 lbs·inch)/pair
- S-Type (Super Heavy Duty):
260~300 kg·cm (226~260 lbs·inch)/pair

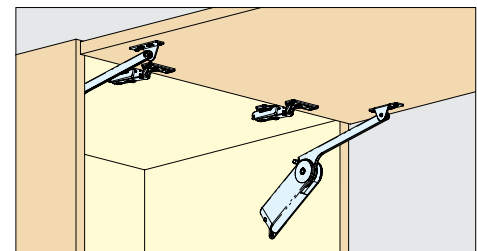
Material	Finish/Color
Steel	Nickel
Plastic	Light Grey

Dimensions are for 90° opening, solid wood or 45 mm width aluminum frame door.
For 80° opening, please use the figures in ().
Fig.1 and Fig. 2 show the dimensions for 20 mm width aluminum frame door using mounting plate HDSN-AZ.
Recommended concealed hinge is overlay/105° opening/free swing type.



Calculate the door torque according to the following formula considering the weight and the height of the applicable door.

Door height (cm) × 1/2 × Door weight (kg) = Door torque (kg·cm)



Arm Mounting Plate (Sold separately, please specify when ordering.)

Item No.	Applicable Door
HDSN-SZ	45mm width aluminum frame door or wood door
HDSN-AZ	20mm width aluminum frame door

Item No.		Type	Door torque		Box (pcs)	Carton (pcs)
Left	Right		Opening angle 90°	Opening angle 80°		
HDSN-30KL	HDSN-30KR	K	122~155 lbs·in (140~179 kg·cm)	122~173 lbs·in (140~199 kg·cm)	40	200
HDSN-30ML	HDSN-30MR	M	156~190 lbs·in (180~219 kg·cm)	174~216 lbs·in (200~249 kg·cm)		
HDSN-30HL	HDSN-30HR	H	191~225 lbs·in (220~259 kg·cm)	217~260 lbs·in (250~299 kg·cm)		
HDSN-30SL	HDSN-30SR	S	226~260 lbs·in (260~300 kg·cm)	261~303 lbs·in (300~350 kg·cm)		