

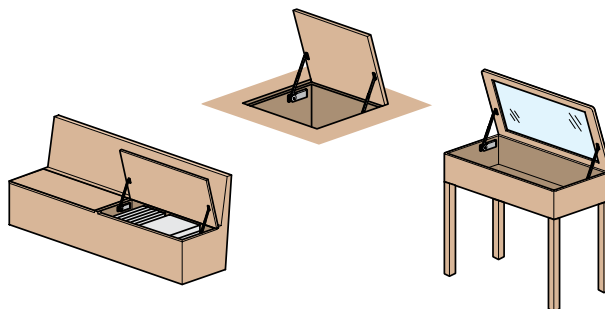
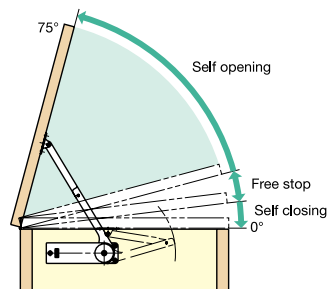
# SELF OPENING STAY



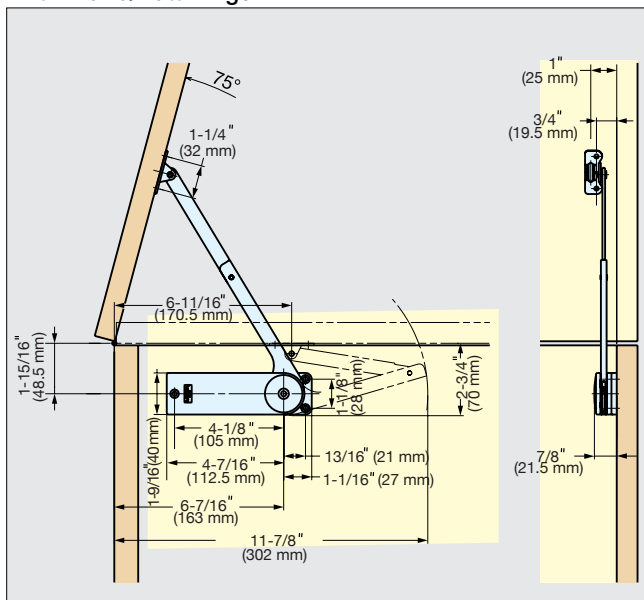
# HDS-20S



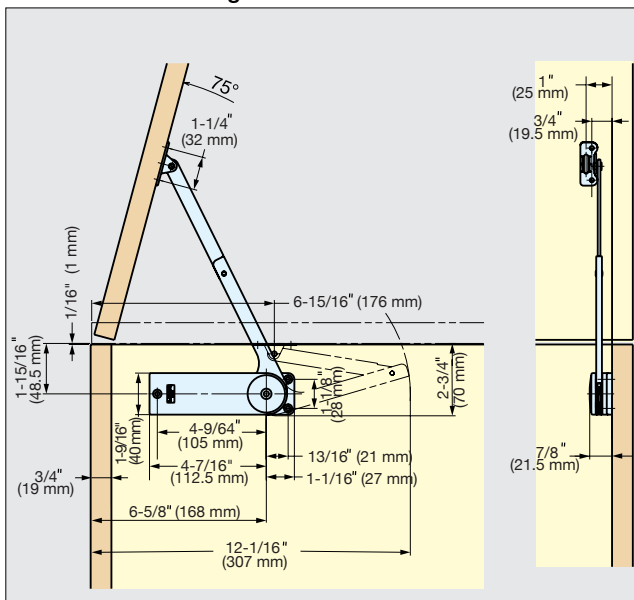
- Lid will self open past the free stop angle.
- For TOP-OPENING FLAP DOOR used with piano, butt or concealed hinges.
- HDS-20S is designed to hold door in fully opened position.
- For soft-close feature, use HDS-20.
- Used in pairs.
- Torque Calculation:  
Torque = Door Height × 0.5 × Door Weight
- H-Type : 61~95 lbs-in (70~110 kg-cm)/pair
- S-Type : 96~130 lbs-in (111~150 kg-cm)/pair



## With Piano/Butt Hinge



## With Concealed Hinge



Item No.		Type	Torque /pair	Weight (g)	Box (pcs)	Carton (pcs)
Left	Right					
HDS-20S/HL-BL	HDS-20S/HR-WT	H	61~95.45 lbs-in (70~110 kg-cm)	300	40	200
HDS-20S/HL-WT	HDS-20S/HR-BL					
HDS-20S/SL-BL	HDS-20S/SR-BL	S	96~130 lbs-in (111~150 kg-cm)	300	40	200
HDS-20S/SL-WT	HDS-20S/SR-WT					

Material	Finish/Color
Steel	Nickel
Plastic	Black/White