

SELF CLOSE STAY

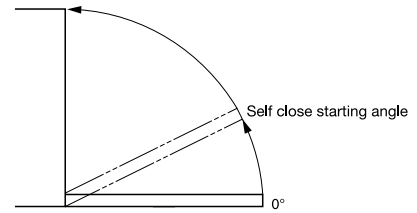


HDS-10S



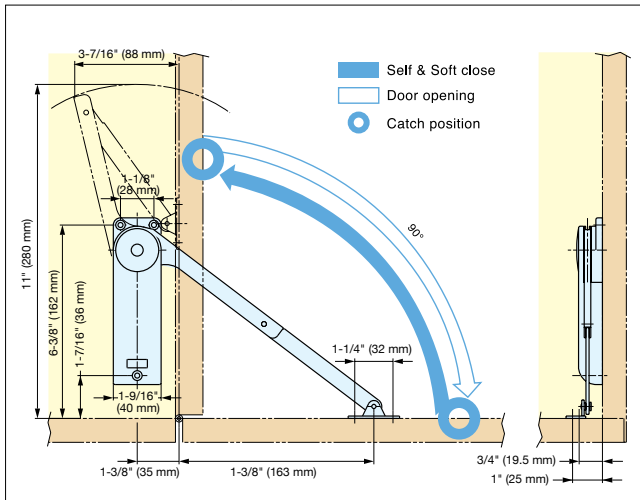
- For DOWNWARD-OPENING FLAP DOOR used with piano, butt or drop hinges (SDH-001, SDH-P, P.238).
- When pushed to close, HDS-10S is designed to self close and soft close
- Used in pairs
- Torque Calculation:
 $\text{Torque} = \text{Door Height} \times 0.5 \times \text{Door Weight}$
 K-Type: 52~82 lbs-in (60~95 kgf-cm) / pair
 M-Type: 82~112 lbs-in (95~130 kgf-cm) / pair
 H-Type: 95~138 lbs-in (110~160 kgf-cm) / pair
 S-Type: 121~156 lbs-in (140~180 kgf-cm) / pair

Self close starting angle

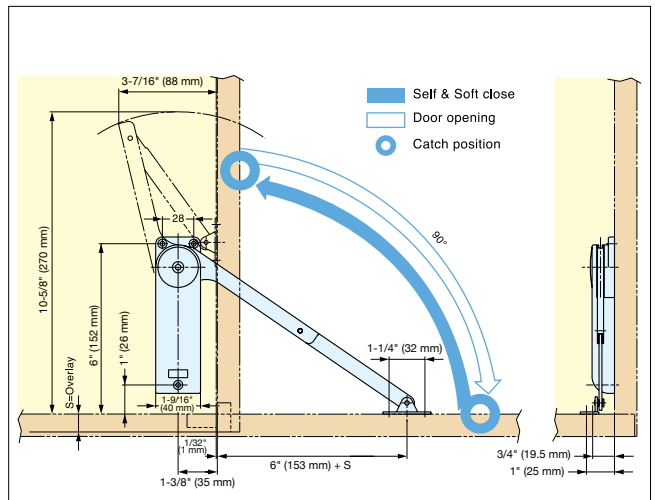


Type	Self close starting angle
K	5°~35°
M	5°~20°
H	
S	5°~15°

With Piano/Butt Hinge



With Drop Hinge (SDH-001)



*S=Overlay coverage in case of drop hinge

Item No.		Type	Torque /pair
Left	Right		
HDS-10S-KL	HDS-10S-KR	Light Duty	52.2~82.6 lbs-in (60~95 kgf-cm)
HDS-10S-ML	HDS-10S-MR	Medium Duty	82.6~113.0 lbs-in (95~130 kgf-cm)
HDS-10S-HL	HDS-10S-HR	Heavy Duty	95.7~139.0 lbs-in (110~160 kgf-cm)
HDS-10S-SL	HDS-10S-SR	Super Heavy Duty	121.7~156.5 lbs-in (140~180 kgf-cm)

No.	Part Name	Material	Finish
①	Body	ABS plastic	Black/White
②	Arm	Steel	Nickel
③	Mounting Plate		