

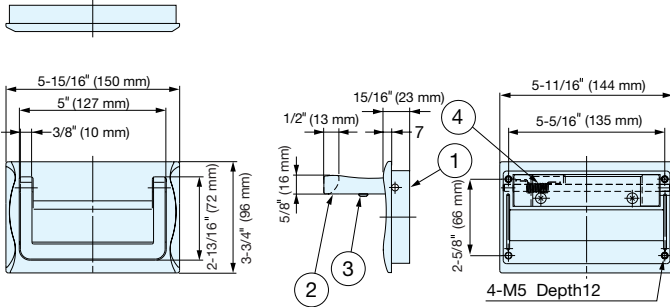
TRUNK HANDLE



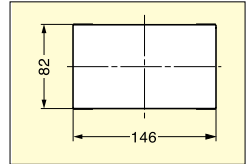
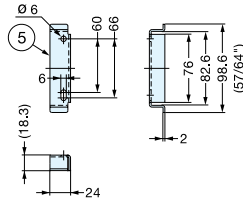
HCT-150



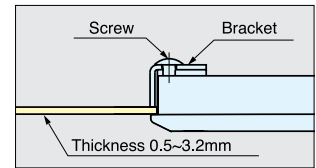
- 316 Stainless steel handle is ideal for harsh and highly corrosive environments.
- The handle is recessed into the mounting plate keeping it flush with the mounting surface.
- Spring loaded: Folds and returns to flat position to stay out of the way when not in use.
- 90 degree stop feature.
- Back mounted. Includes bracket for sheet metal applications.



Bracket



Cut Out Dimensions



| No. | Part Name | Material | Finish |
|-----|-----------|---------------------|--------|
| ① | Body | 316 Stainless Steel | Mirror |
| ② | Handle | | |
| ③ | Bumper | Ethylene Propylene | Black |
| ④ | Spring | 316 Stainless Steel | - |
| ⑤ | Bracket | | Plain |

| Item No. | Material | Finish | Load Capacity | Weight (g) | Box (pcs) | Carton (pcs) |
|----------|---------------------|--------|------------------|------------|-----------|--------------|
| HCT-150 | 316 Stainless Steel | Mirror | 220 lbs (100 kg) | 990 | 5 | 20 |

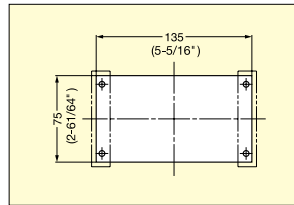
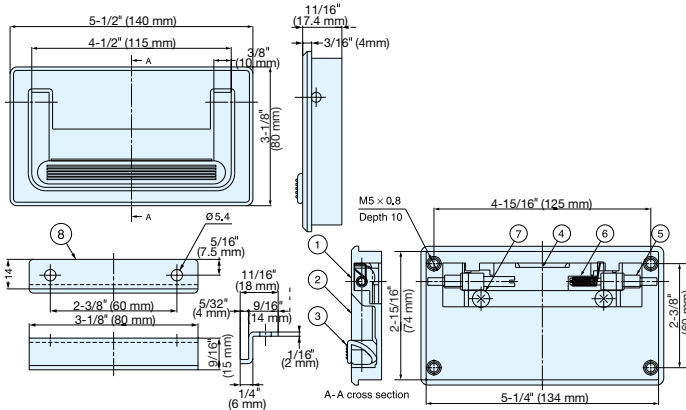
TRUNK HANDLE



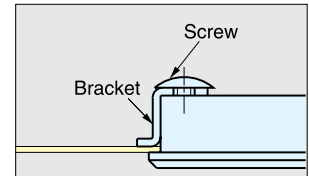
MUD-140



- The handle is recessed into the mounting plate keeping it flush with the mounting surface.
- Spring loaded:
Folds and returns to flat position to stay out of the way when not in use.
- 90 degree stop feature.
- Rubber pad on handle provides an easy and comfortable grip.
- Back mounted. Includes bracket for sheet metal applications.



Cut Out Dimensions



Installation

| No. | Part Name | Material | Finish/Color |
|-----|-----------|------------------|----------------------|
| ① | Body | Zinc Alloy | Chrome |
| ② | Handle | | |
| ③ | Grip | Synthetic Rubber | Black |
| ④ | Back Case | Steel | Yellow Zinc Chromate |
| ⑤ | Shaft | Zinc Alloy | |
| ⑥ | Spring | Steel | |
| ⑦ | Screw | | |
| ⑧ | Bracket | | |

| Item No. | Load Capacity | Weight (g) | Box (pcs) | Carton (pcs) |
|----------|----------------|------------|-----------|--------------|
| MUD-140 | 66 lbs (30 kg) | 620 | 5 | 20 |