

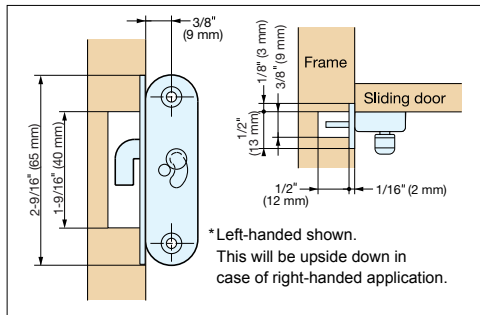
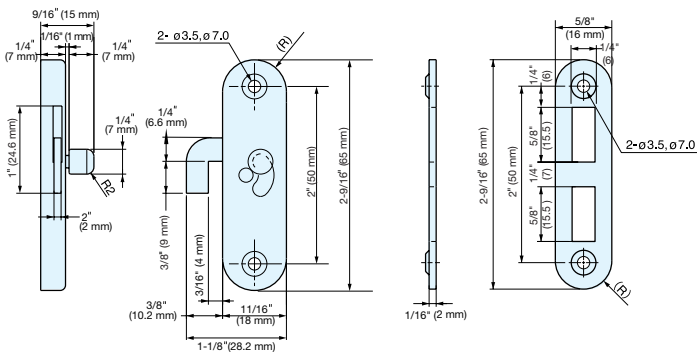
SLIDING DOOR LATCH



HC-65



- Surface mount type door latch with noticeable indicator.
- Extra slim and compact design.
- Simply slide up and down the knob to lock/ unlock.
- Non-handed.



Installation

Item No.	Weight (g)	Box (pcs)	Carton (pcs)
HC-65	41	20	200

Material	Finish
304 Stainless Steel, Brass	Satin

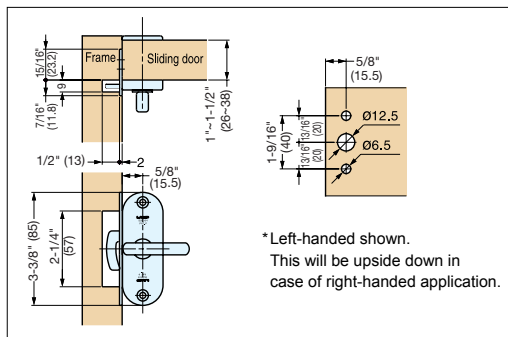
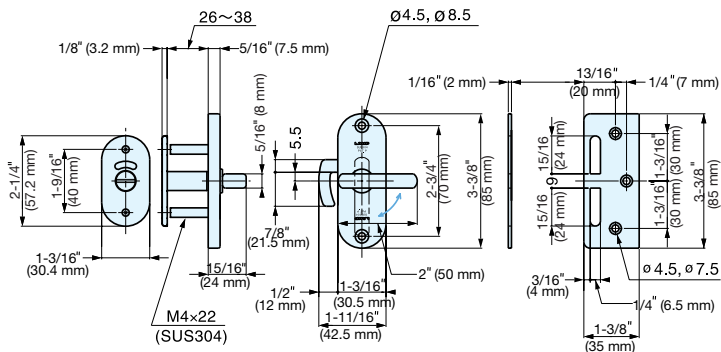
SLIDING DOOR LATCH



HHC-85



- Door latch with indicator.
- Slim design suitable for various applications.
- Large lever for easy operation.
- Non-handed.
- For door thickness 1"~1-1/2" (26~38 mm).



Installation

Item No.	Weight (g)	Box (pcs)	Carton (pcs)
HHC-85	120	6	30

Material	Finish
304 Stainless Steel, Brass	Satin