

# SLIDING DOOR LATCH

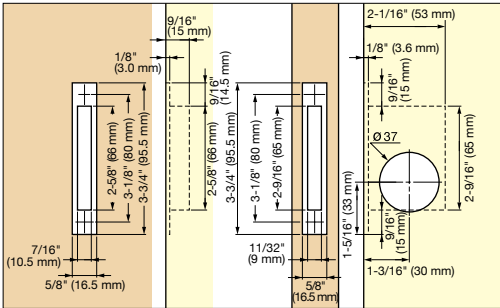


## HC-30



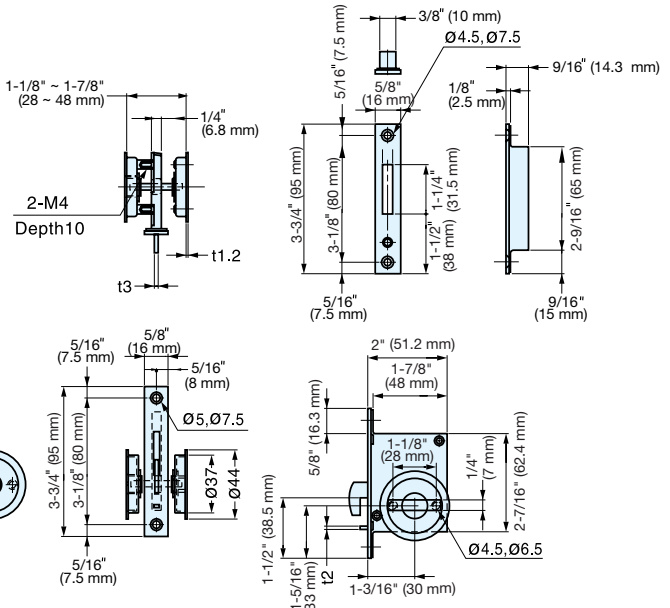
Opposite Side

- Slim design suitable for various applications.
- Non-handed.
- For door thickness 1-1/8"~1-7/8" (28~48 mm).
- For sliding doors only.



Bore Dimensions

Item No.	Weight (g)	Box (pcs)	Carton (pcs)
HC-30	258	5	50



Material	Finish
304 Stainless Steel, Brass, Zinc Alloy	Satin

# SLIDING DOOR LATCH (W/INDICATOR)

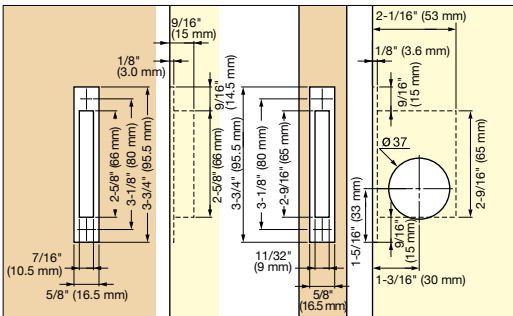


## HC-30H



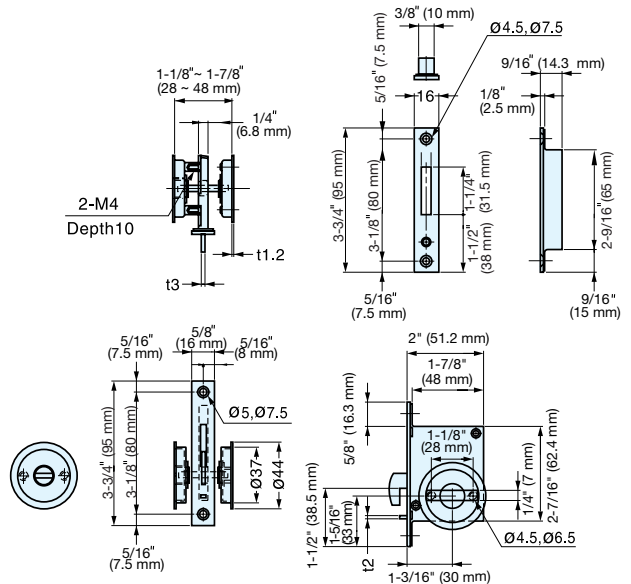
Opposite Side

- Door latch with indicator.
- Slim design suitable for various applications.
- Non-handed.
- For door thickness 1-1/8"~1-7/8" (28~48 mm).
- For sliding doors only.



Bore Dimensions

Item No.	Weight (g)	Box (pcs)	Carton (pcs)
HC-30H	259	5	50



Material	Finish
304 Stainless Steel, Brass, Zinc Alloy	Satin