

HORIZONTAL BI-FOLDING DOOR MECHANISM



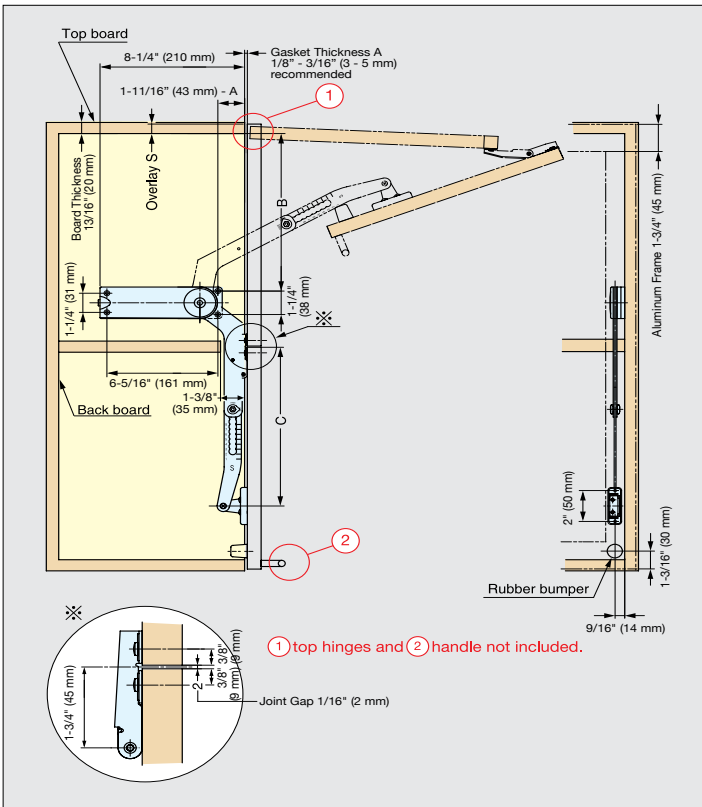
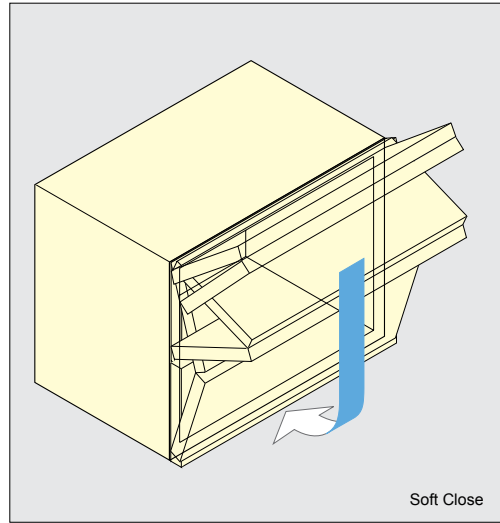
HBFN

LID SUPPORTS

HORIZONTAL BI-FOLDING DOOR MECHANISM



- Unique new bi-fold door mechanism will assist in opening and closing doors in a smooth motion.
- No tracks or guides required.
- Handle position can be at the bottom of the door.
- Arm length adjustable for various door sizes.
- Patented LAPCON technology provides smooth and quiet motion.
- Recommended Door Size and Weight):
 Width, 17-3/4"~35-7/16" (450~900 mm)
 Height, 12-5/8"~14-9/16" (320~370 mm)/each door
 Weight, 5.5~12.1 lbs (2.5~5.5 kg)/each door



Type	Door Height	Opening Angle 90°			Opening Angle 105°		
		Arm Position	B	C	Arm Position	B	C
M	(320)	1	(247-S)	(241)	4	(226-S)	(244)
	(330)	2	(252-S)	(244)	5	(234-S)	(250)
	(340)	3	(258-S)	(248)	6	(243-S)	(257)
	(350)	4	(263-S)	(251)	7	(251-S)	(263)
	(360)	5	(269-S)	(255)	8	(259-S)	(269)
	(370)	6	(274-S)	(258)	9	(267-S)	(275)

S = Overlay (Top Board). () units in mm.

Item No	Door Height /door	Door Weight /door	Box (set)	Carton (set)	Material	Finish
HBFN-2M	12-5/8"~14-9/16" (320~370 mm)	5.5~7.7 lbs (2.5~3.5 kg)	10	100	Steel	Nickel
HBFN-3M		7.9~9.9 lbs (3.6~4.5 kg)			Plastic	Light Grey
HBFN-4M		9.9~12.1 lbs (4.6~5.5 kg)				