

HBFN

HORIZONTAL BI-FOLDING DOOR MECHANISM



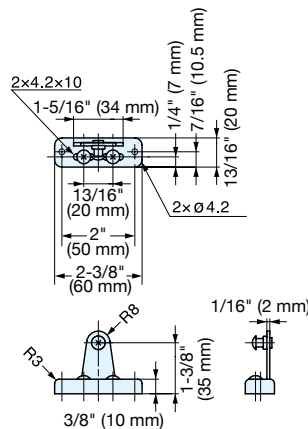
- HBFN's unique bi-fold door mechanism will assist in opening and closing doors in a smooth motion.
- The mechanism is compact, with no tracks or guides.
- Easy installation.
- Patented Lapcon technology offers smooth and quiet motion.
- Successfully passed 30,000 open/close private cycle tests.

Designed to operate at room temperature 32°~104°F (0°~40°C).



MOUNTING PLATES FOR HBFN

HBFN-SZ



• Included with HBFN Series hardware.

Item No	Application	Weight (g)	Box (set)
HBFN-SZ	Wood Doors, Aluminum Frame Doors, Width 45 mm (1-3/4")	44	100

Part Name	Material	Finish/Color
Plates, Screws	Steel	Nickel
Bumper	-	Grey