

(Inset)



5-speed damper power adjustment lever

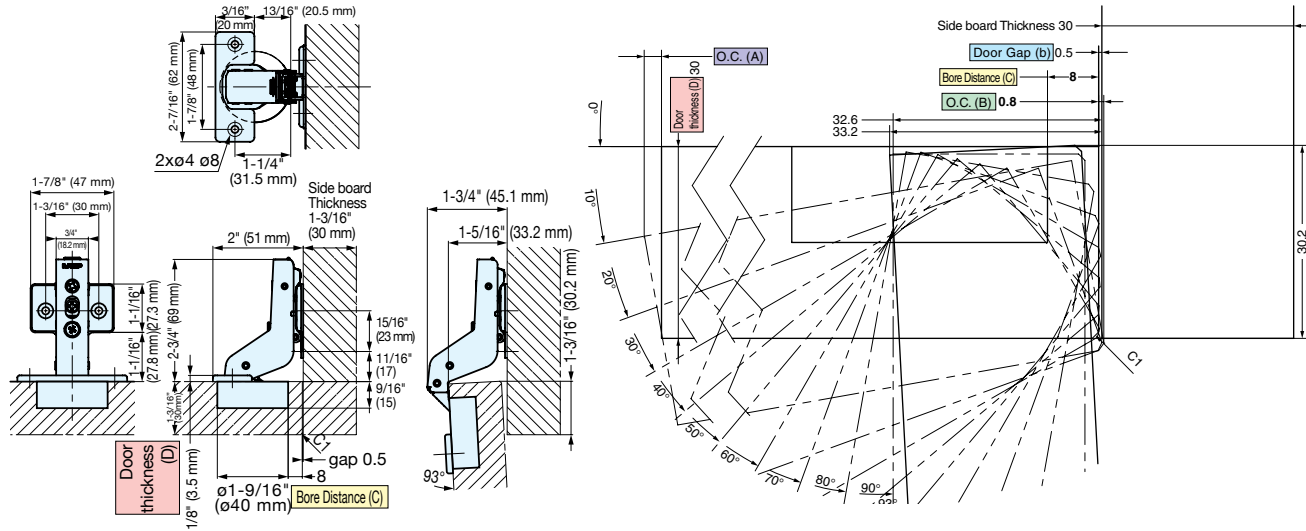
**FOR THICK DOORS,**  
With damper function  
(5 levels), 100° opening

- Featuring 5-speed adjustable damper.
- Load capacity: 19.8 lbs (9 kg)/2 pcs, 33 lbs (15 kg)/3 pcs.
- Maximum door width: 23-5/8" (600 mm).
- Maximum door thickness: 1-3/16" (30 mm)
- Clip on type for easy installation.
- 3-way adjustment with door installed.
- Mounting plate sold separately.
- Successfully passed 200,000 cycles test.



Locus chart  $S=1/1$

**Installation drawing**



Drawings show a hinge, face plate and 360-P4W-30T mounting plate (sold separately).

**Opening Clearance (O.C.)**

Clearances for door edge O.C. (A) and hinge side O.C. (B) are necessary. O.C. (A) and (B) change depending on door thickness and bore distance (C). Refer to locus chart and tables below when designing cabinets.

**Opening clearance (B), door thickness (D) and bore distance (C) relationship**

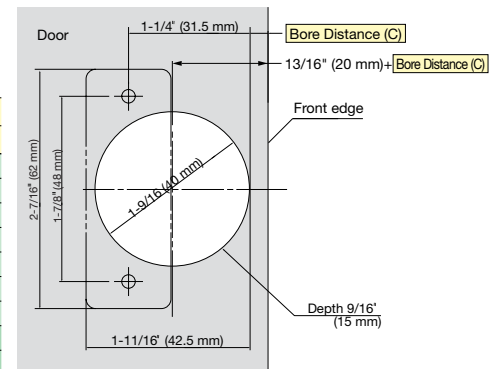
Door Thickness (D)	Bore Distance (C)					
	1/8" (3 mm)	3/16" (4 mm)	3/16" (5 mm)	1/4" (6 mm)	1/4" (7 mm)	5/16" (8 mm)
11/16" (18 mm)	0	0	0	0	0	0
13/16" (20 mm)	0	0	0	0	0	0
7/8" (22 mm)	0	0	0	0	0	0
15/16" (24 mm)	0.1	0.1	0.1	0.1	0.1	0.1
1" (26 mm)	0.3	0.3	0.3	0.3	0.3	0.3
1-1/8" (28 mm)	1/16" (1.7 mm)	1/16" (0.7 mm)	1/16" (0.5 mm)	1/16" (0.5 mm)	1/16" (0.5 mm)	1/16" (0.5 mm)
1-3/16" (30 mm)	1/8" (3.9 mm)	1/8" (2.9 mm)	1/16" (2 mm)	1/16" (1.4 mm)	1/16" (0.8 mm)	1/16" (0.8 mm)
1-1/4" (32 mm)*	1/4" (5.9 mm)	3/16" (4.9 mm)	1/8" (3.9 mm)	1/8" (3.3 mm)	1/8" (2.6 mm)	1/16" (2.1 mm)
1-5/16" (34 mm)*	5/16" (8.1 mm)	1/4" (7.1 mm)	1/4" (6.1 mm)	3/16" (5.1 mm)	3/16" (4.5 mm)	1/8" (3.9 mm)

**O.C. (B)**

\* The table above shows O.C. (B) for C1 chamfering (chamfer plane).

\* Please refer to the locus chart if door thickness is over 1-3/16" (30 mm). O.C. (B) can be made smaller by R chamfering (round chamfer) and C chamfering (chamfer plane) on the door.

**Cut out dimensions (wooden doors)**



**Bore distance (C) and overlay (E) relationship**

Bore Distance (C)	1/8" (3 mm)	5/32" (4 mm)	3/16" (5 mm)	1/4" (6 mm)	9/32" (7 mm)	5/16" (8 mm)
Overlay (E)	7/32" (5.5 mm)	3/16" (4.5 mm)	1/8" (3.5 mm)	3/32" (2.5 mm)	1/16" (1.5 mm)	1/32" (0.5 mm)

Overlay can be decreased by up to (4 mm) by turning the overlay adjustment screw.

**Opening clearance (A) and door width relationship (for 1-3/16" (30 mm) thick door)**

Door Width	11-13/16" (300 mm)	15-3/4" (400 mm)	19-11/16" (500 mm)	23-5/8" (600 mm)
O.C. (A)	0.78	0.55	0.43	0.35

Item No	Opening angle	Type	Material	Finish	Carton
H360-D26-0T	93°	Soft close (5 levels)	Steel	Nickel	100pcs
H360-26-0T		Free swinging			
H360-C26-0T		Self-closing			