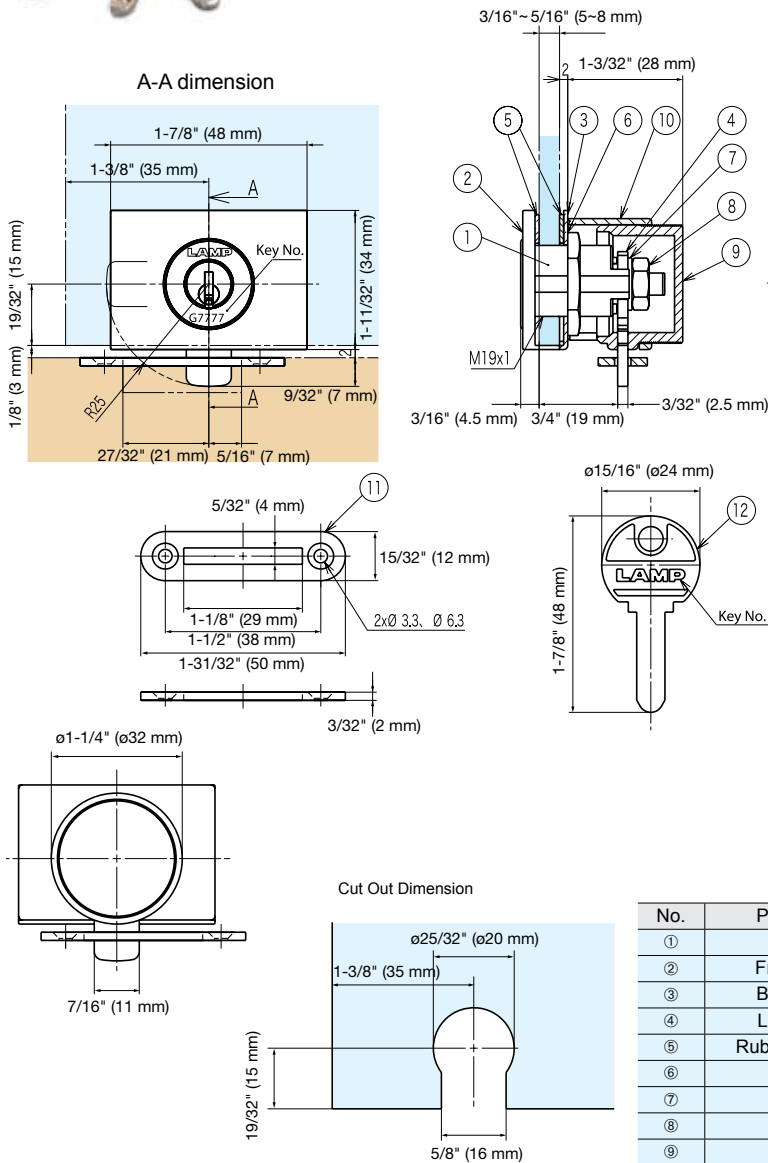


# GLASS DOOR CAM LOCK (MILLION LOCK SERIES)

# GS-GL5



- Cylinder lock for Glass swing door.
- Designed to match aesthetically with the GS-GH5 glass hinge and GS-GB5 bracket.
- Reversible key. Turn the key 90° to lock and unlock. Key can only be removed when locked.
- Dimple key with up to 1 Million key changes. Master key system available at surcharge (Max. 2,520 key changes/master key).
- Keys can be shared with other Million Lock Series.



No.	Part Name	Material	Finish
①	Body	Brass	24K Gold Plated, Chrome, Black
②	Front Plate	Zinc Alloy	
③	Back Plate		
④	Lock Plate	304 Stainless Steel	Mirror
⑤	Rubber Washer	Chloroprene Rubber	Black
⑥	Hex Nut	Steel	Silver
⑦	Washer		
⑧	Hex Nut		
⑨	Cover	Polypropylene	Black
⑩	Ring		
⑪	Strike	Steel	24K Gold Plated, Chrome, Black
⑫	Key	Brass	Nickel

Item Name	Glass Thickness	Finish
GS-GL5-CR	3/16~5/16" (5~8 mm)	Chrome
GS-GL5-GP		Gold Plated
GS-GL5-BL		Black