

GLASS DOOR CAM LOCK (Million Lock Series)



GS-GL20



Chrome (CR)

Gold Plated (GP)

Black (BL)

- Cylinder lock designed for glass showcases.
- Designed for use with the GS-GH20 and GS-GB20.
- The keys are dimple type and reversible.
- The strike plate also works as a door stopper, providing stable locking operation.
- The only drilling required for the cabinet is a round hole.

[Round Dead Bolt]

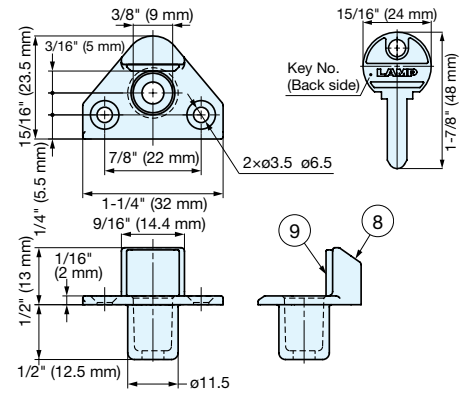
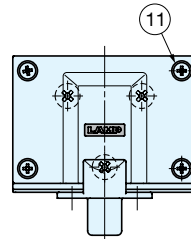
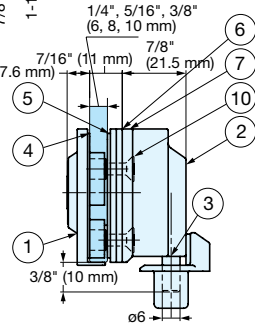
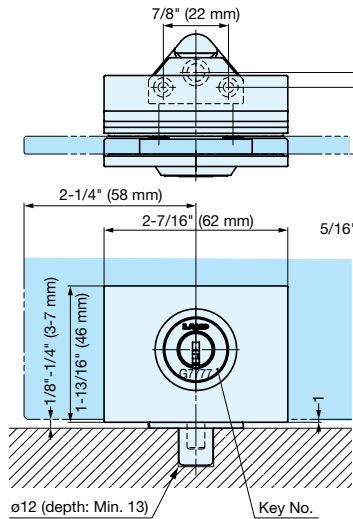
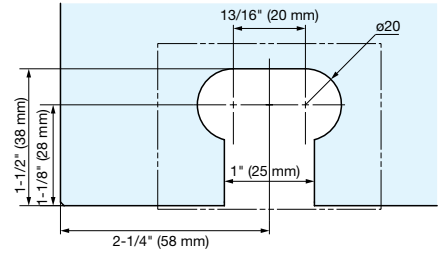


Required Number of Spacers

Glass Thickness	Spacer
1/4" (6 mm)	2 pcs
5/16" (8 mm)	1 pc
3/8" (10 mm)	-

Only processing required for boards is a $\phi 12$ mm drilling.

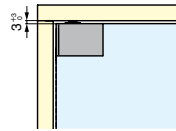
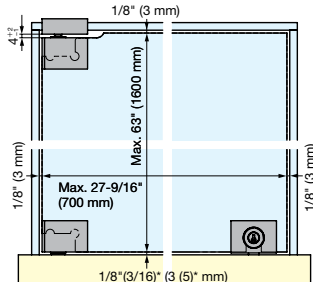
Cut Out Dimensions



[Installation Example] Using with GS-GH20 and GS-GB20

On Glass Top Board

On Wood Top Board



No.	Part Name	Material	Finish		
			CR	GP	BL
①	Face Plate	Zinc Alloy	Chrome	24K Gold Plated	Black
②	Case Lock				
③	Dead Bolt	Brass	Chrome		
④	Holding Packing	Polypropylene	Black		
⑤	Packing	Chloroprene Rubber			
⑥	Spacer	ABS			
⑦	Back Plate	Zinc Alloy	Chrome	24K Gold Plated	Black
⑧	Strike Plate				
⑨	Strike Plate Rubber	EPDM	Black		
⑩	Screws	Stainless Steel	-		

* The () indicates the dimensions when the washer of GS-GH20 is attached.

Item Name	Finish	Key Type	Glass Thickness	Key Removal	Key Rotation Angle
GS-GL20-CR-B	Chrome	Key Different	1/4", 5/16", 3/8" (6, 8, 10 mm)	Two Areas	360°
GS-GL20-CR-D		Key Alike			
GS-GL20-GP-B	Gold Plated	Key Different			
GS-GL20-GP-D		Key Alike			
GS-GL20-BL-B	Black	Key Different			
GS-GL20-BL-D		Key Alike			