

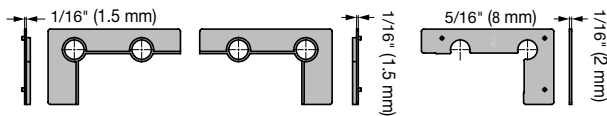
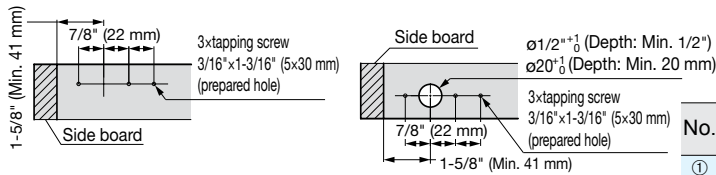
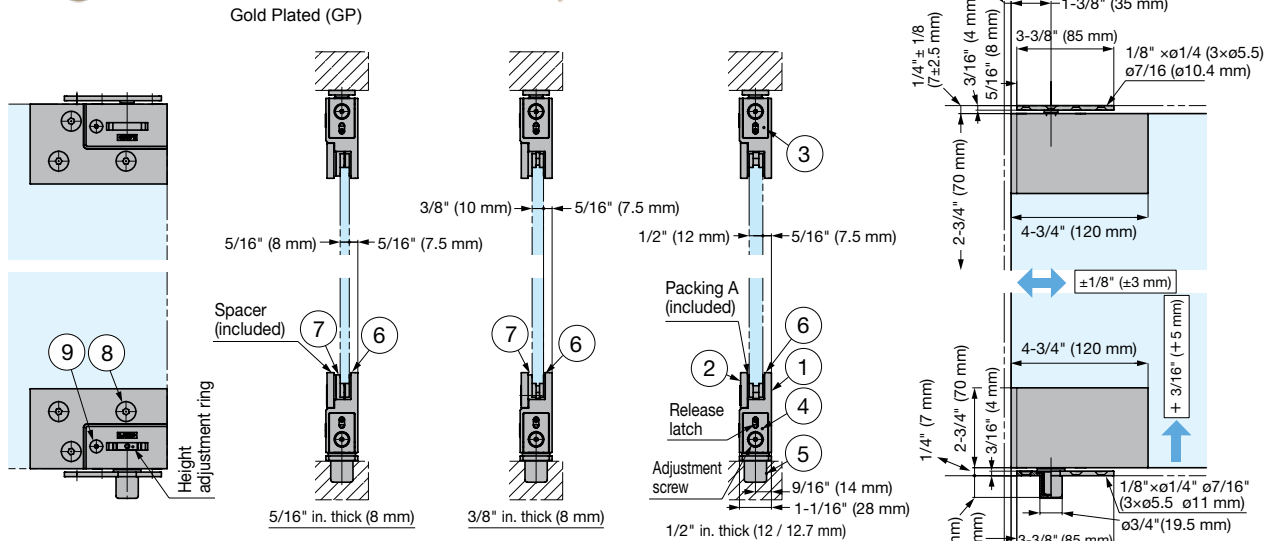
GLASS HINGE



GS-GH50

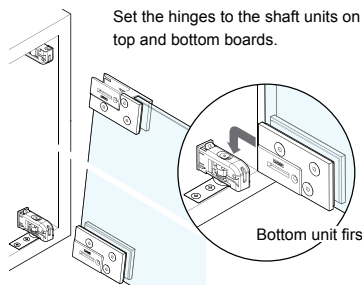


- Designed for large inset glass showcases, sold in sets of 2.
- Recommended for use with the GS-GL50 lock for design coordination.
- Doors can be temporary held in frames before fixing screws for easy installation.
- The door position can be adjusted by ± 3 mm right and left post installation. (Horizontal adjustment screw).
- The gap below the door can be adjusted from 7 up to 12 mm post installation. (Height adjustment ring)
- Prioritize the door weight when determining the glass size.
- Shatter proof films are recommended to be used on glass doors for safety.

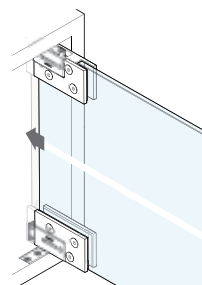


No.	Part Name	Material	Finish		
			CR	GP	BL
①	Body (front)	Zinc Alloy	Chrome Plated	Gold Plated (24K)	Matte Black
②	Body (back)				
③	Upper Shaft				
④	Bottom Shaft Unit				
⑤	Bottom Mounting Plate				
⑥	Packing A (t: 1.5)	Chloroprene Rubber (CR)	Black		
⑦	Packing B (t: 3.5)				
⑧	Hex socket bolt M8×16	Steel	Chrome	Gold Plated (24K)	Matte Black
⑨	Hex socket bolt M5×10				

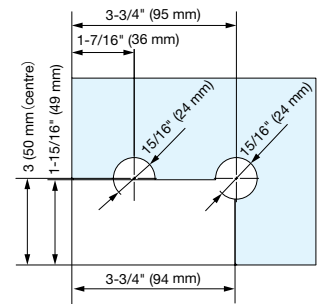
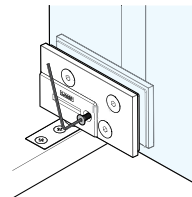
Easy Installation



The door can be temporarily held in the frame.



Fix the screws. Door position can be adjusted post installation.



Item Name	Finish	Available Glass Size			Load Capacity	Finish
		Width	Width	Glass Thickness		
GS-GH50-CR	Chrome	35-7/16" (Max. 900 mm)	98-7/16" (Max. 2500 mm)	5/16", 3/8", 15/32", 1/2" (8, 10, 12, 12.7 mm)	110.23 lbs/2 pcs (50 kgf/2 pcs)	Chrome
GS-GH50-GP	Gold Plated (24K)					Gold Plated (24K)
GS-GH50-BL	Matte Black					Matte Black