

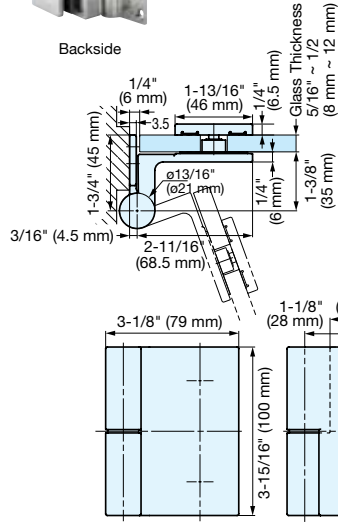
STAINLESS STEEL GLASS DOOR GRAVITY HINGE GH-G02SH



GH-G02SH-SM-L



Backside

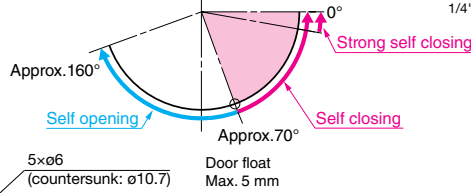


Left-hand opening shown.
Right-handed opening is symmetrical.

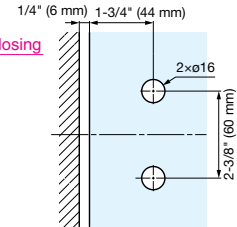


GH-G02SH-BL-L

Self Opening & Self Closing Range



Cut Out Dimensions



Material	Finish
SCS13 Stainless Steel	Mirror, Black

Item No.	Type	Glass Thickness	Door Specs				Load Capacity		Opening Angle
			Width/ 2 pcs	Height/ 2 pcs	Width/ 3 pcs	Height/ 3 pcs	2 pcs	3 pcs	
GH-G02SH-SM-R	Right	5/16" ~ 15/32" (8 ~ 12 mm)	Max. 31-1/2" (800 mm)	Max. 82-11/16" (2100 mm)	Max. 33-7/16" (850 mm)	Max. 94-1/2" (2400 mm)	99.2 lbs (45 kg)	110.2 lbs (50 kg)	160°
GH-G02SH-SM-L	Left								
GH-G02SH-BL-R	Right								
GH-G02SH-BL-L	Left								

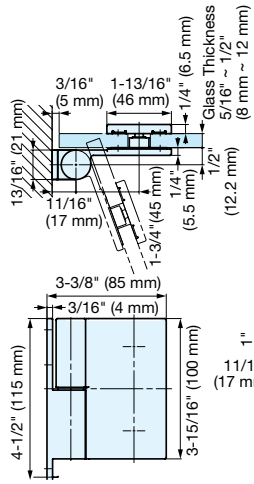
STAINLESS STEEL GLASS DOOR GRAVITY HINGE GH-G07SH



GH-G07SH-SM-L



Backside

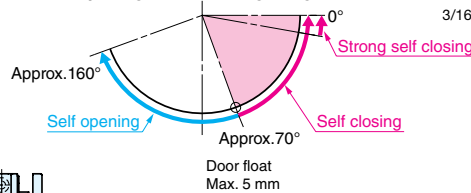


Left-hand opening shown.
Right-handed opening is symmetrical.

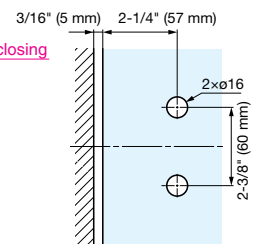


GH-G07SH-BL-L

Self Opening & Self Closing Range



Cut Out Dimensions



Material	Finish
SCS13 Stainless Steel	Mirror, Black

Item No.	Type	Glass Thickness	Door Specs				Load Capacity		Opening Angle
			Width/ 2 pcs	Height/ 2 pcs	Width/ 3 pcs	Height/ 3 pcs	2 pcs	3 pcs	
GH-G07SH-SM-R	Right	5/16" ~ 15/32" (8 ~ 12 mm)	Max. 31-1/2" (800 mm)	Max. 82-11/16" (2100 mm)	Max. 33-7/16" (850 mm)	Max. 94-1/2" (2400 mm)	99.2 lbs (45 kg)	110.2 lbs (50 kg)	160°
GH-G07SH-SM-L	Left								
GH-G07SH-BL-R	Right								
GH-G07SH-BL-L	Left								