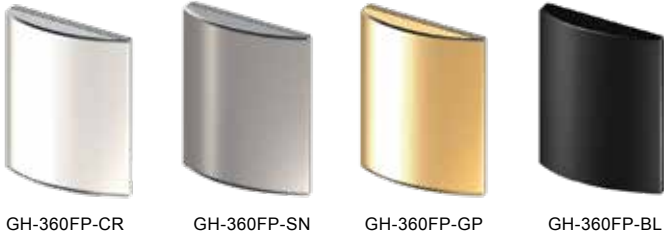


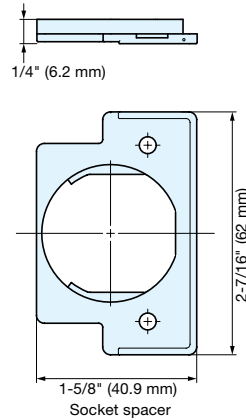
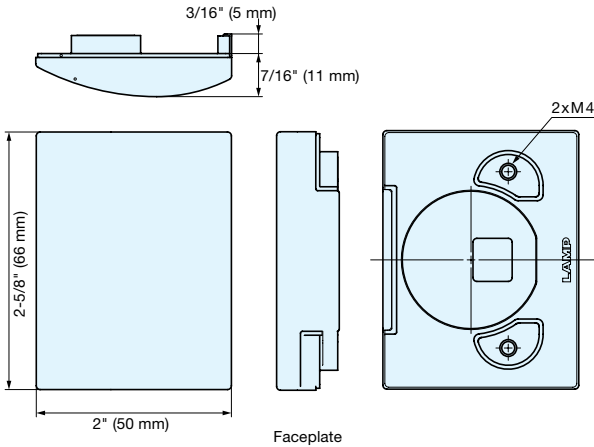
# GLASS DOOR FACE PLATE for Olympia Hinge

# GH-360FP



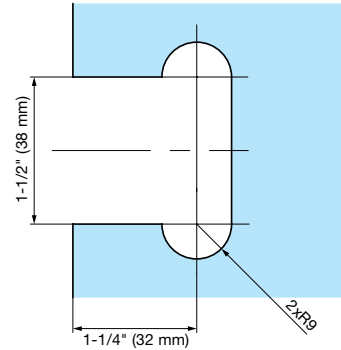
- Glass door face plate designed specifically for the Olympia hinge. (Not suitable for the H360 hinge).
- For tempered glass doors.

| Item No.    | Finish / Color   | Material                             |
|-------------|------------------|--------------------------------------|
| GH-360FP-CR | Chrome Plating   | Zinc Alloy (ZDC)<br>Polyacetal (POM) |
| GH-360FP-SN | Satin Nickel     |                                      |
| GH-360FP-GP | 24K Gold Plating |                                      |
| GH-360FP-BL | Black            |                                      |



### Cut Out Dimensions

- Please use 3/16"-1/4" (4-6mm) tempered glass.
- Use of shatterproof film is recommended.

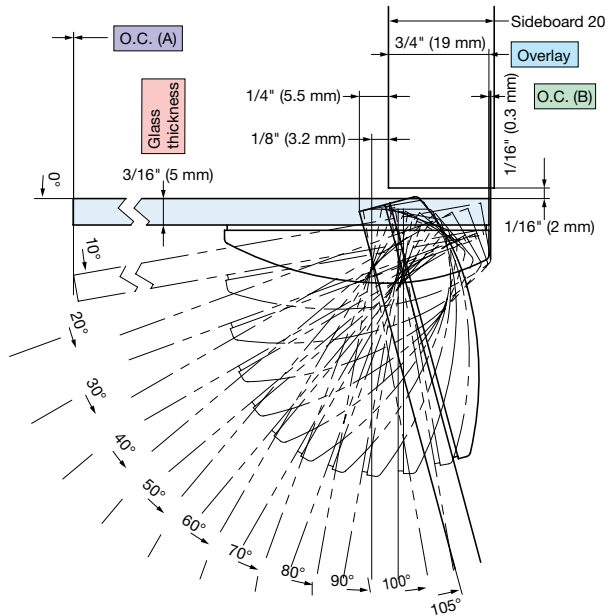


### Side board and face plate relationship

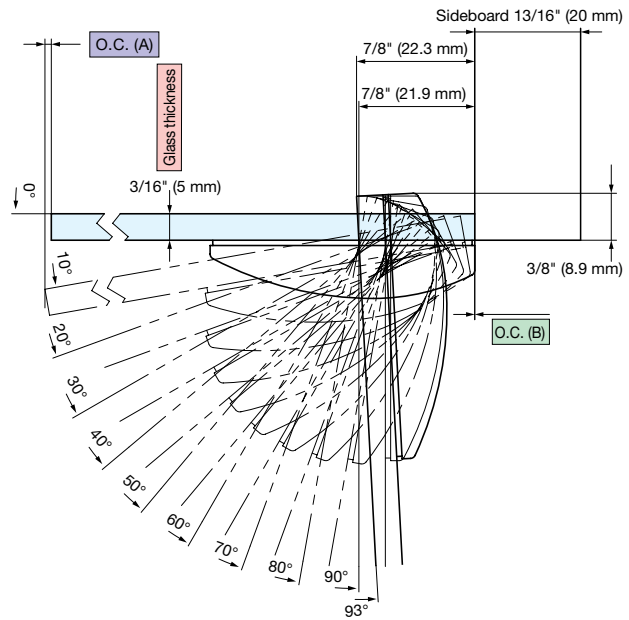
► For a 3/16" (5 mm) door, 13/16" (20 mm) sideboard and 3/4" (19 mm) overlay.

► For a 3/16" (5 mm) door, 13/16" (20 mm) sideboard and inset installation.

Locus chart S=7/10 Overlay (3/4" (19 mm))



Locus chart S=7/10 Inset



### Opening clearance (O.C.)

| Glass thickness | 3/16" (4 mm) | 3/16" (5 mm) | 1/4" (6 mm) |
|-----------------|--------------|--------------|-------------|
| O.C. (B)        | 0.2          | 0.3          | 0.5         |

### Opening clearance (O.C.)

| Glass thickness | 3/16" (4 mm) | 3/16" (5 mm) | 1/4" (6 mm) |
|-----------------|--------------|--------------|-------------|
| O.C. (B)        | 0            | 0            | 0           |

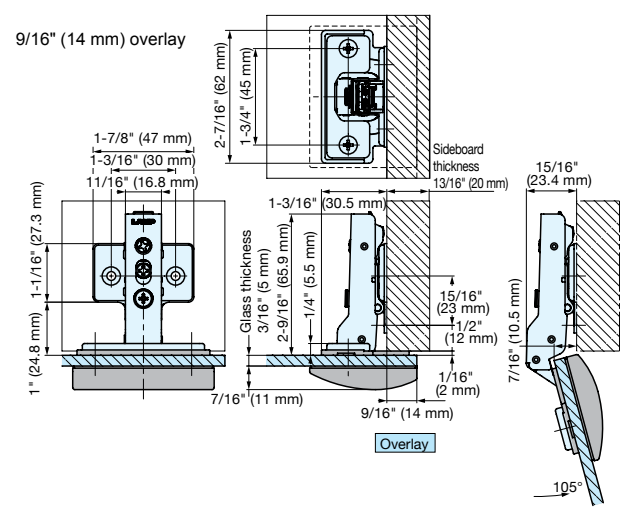
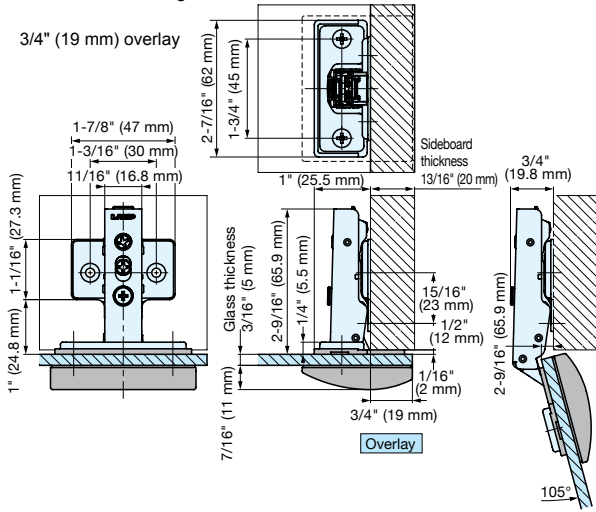
### Opening clearance (A) and door width relationship (for 3/16" (5mm) door)

| Glass width | 11-13/16" (300 mm) | 15-3/4" (400 mm) | 19-11/16" (500 mm) | 23-5/8" (600 mm) |
|-------------|--------------------|------------------|--------------------|------------------|
| O.C. (A)    | 0.07               | 0.05             | 0.04               | 0.03             |

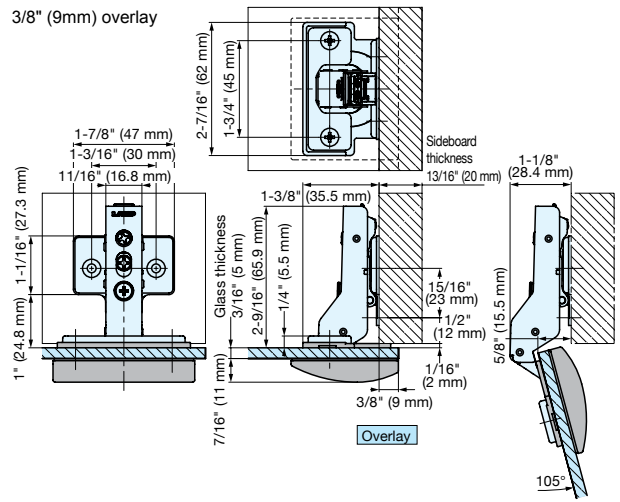
### Opening clearance (A) and door width relationship (for 3/16" (5mm) door)

| Glass width | 11-13/16" (300 mm) | 15-3/4" (400 mm) | 19-11/16" (500 mm) | 23-5/8" (600 mm) |
|-------------|--------------------|------------------|--------------------|------------------|
| O.C. (A)    | 0.34               | 0.25             | 0.19               | 0.16             |

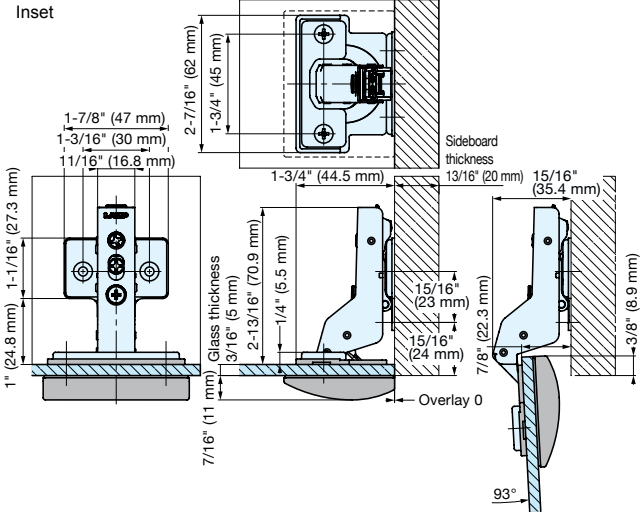
Installation drawing



3/8" (9mm) overlay



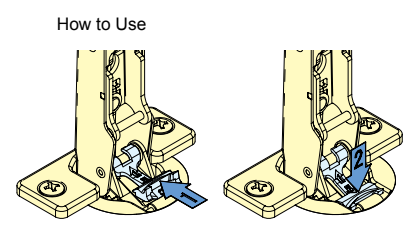
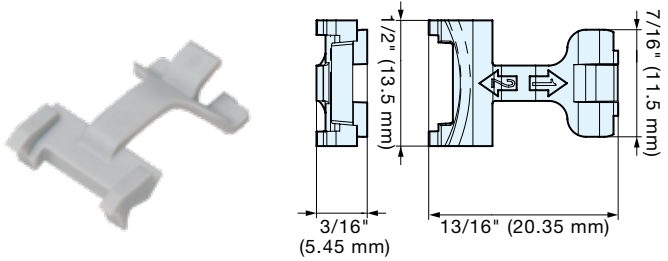
Inset



Drawings show a hinge, face plate and 360-P4W-30T mounting plate (sold separately).

85° ANGLE LIMITER

360-85



- Can be retrofitted to a 105° opening Olympia hinge (standard door) to limit the opening angle to 85°.

INSTALLATION JIG

360-JIG



- For easy installation and alignment of the Olympia hinge mounting plate.
- Cannot be used in combination with 360-P6W32-32T and pre-mounted screw mounting plates.

