

# INSET GLASS DOOR HINGE



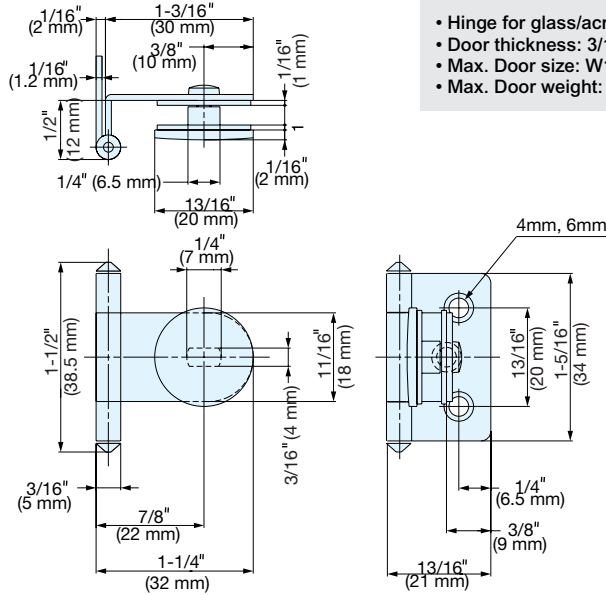
## GH-34/0



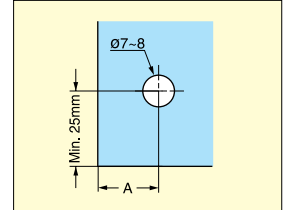
GH-34/0/CR



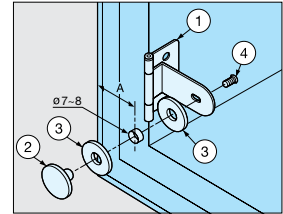
GH-34/0/BL



- Hinge for glass/acrylic doors.
- Door thickness: 3/16"~1/4" (4~6 mm)
- Max. Door size: W17-3/4" x H27-9/16" (W450 x H700)
- Max. Door weight: 8.8 lbs/pair (4 kg/pair)



Cut Out Dimension



Installation

Glass Thickness	A
3/16" (4 mm)	3/4" (19 mm)
3/16" (5 mm)	11/16" (18 mm)
1/4" (6 mm)	11/16" (17 mm)

No.	Part Name	Material	Finish
①	Body	Steel	Chrome/Black
②	Plate	Zinc Alloy	Black
③	Washer	PVC	Clear
④	Screw	Steel	Nickel/Black

Item No.	Weight (g)	Box (pcs)	Carton (pcs)
GH-34/0/CR-P	23.5	100	600
GH-34/0/BL-P		150	900

# HALF OVERLAY GLASS DOOR HINGE



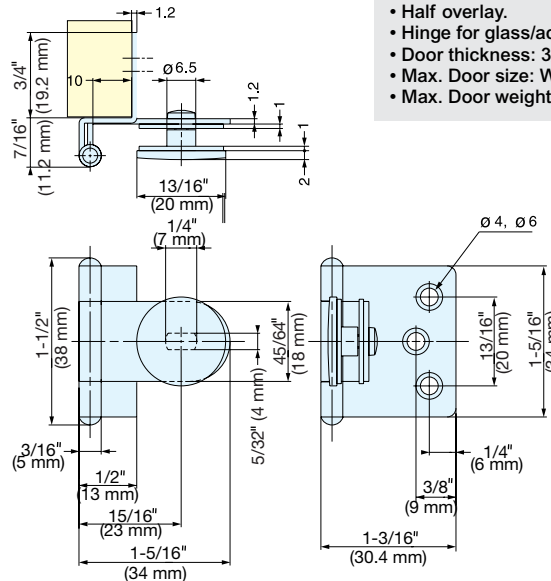
## GH-34/8



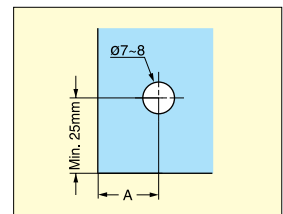
GH-34/8/CR



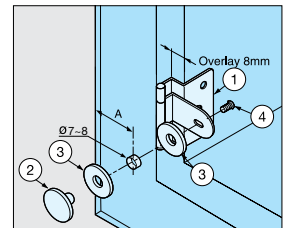
GH-34/8/BL



- Half overlay.
- Hinge for glass/acrylic doors.
- Door thickness: 3/16"~1/4" (4~6 mm)
- Max. Door size: W17-3/4" x H27-9/16" (W450 x H700)
- Max. Door weight: 8.8 lbs/pair (4 kg/pair)



Cut Out Dimension



Installation

Glass Thickness	A	Overlay (mm)
3/16" (4 mm)	3/4" (19 mm)	5/16" (8 mm)
3/16" (5 mm)	11/16" (18 mm)	1/4" (7 mm)
1/4" (6 mm)	11/16" (17 mm)	1/4" (6 mm)

No.	Part Name	Material	Finish
①	Body	Steel	Chrome/Black
②	Plate	Zinc Alloy	Black
③	Washer	PVC	Clear
④	Screw	Steel	Nickel/Black

Item No.	Weight (g)	Box (pcs)	Carton (pcs)
GH-34/8/CR	25	50	500
GH-34/8/BL			