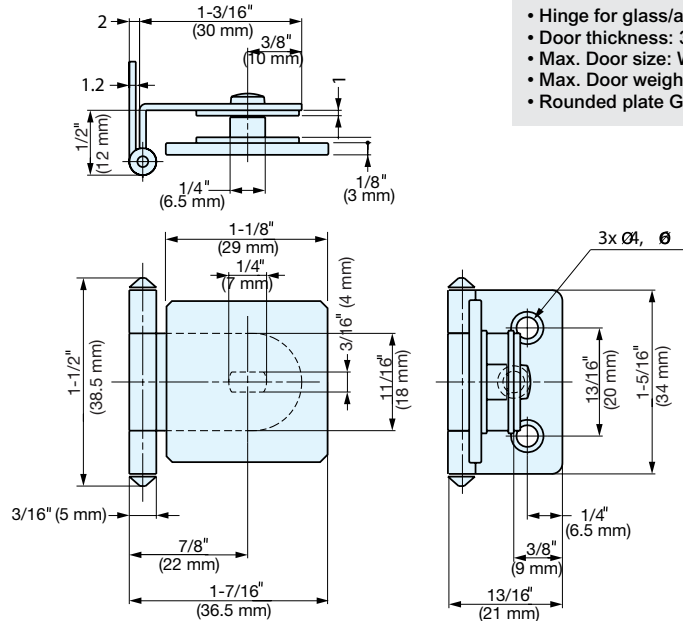


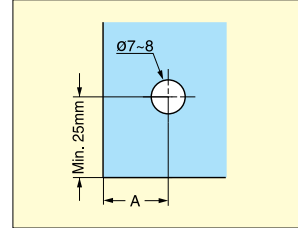
INSET GLASS DOOR HINGE



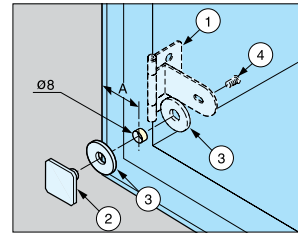
GH-34-0CR-K



- Hinge for glass/acrylic doors.
- Door thickness: 3/16"~1/4" (4~6 mm)
- Max. Door size: W17-3/4" × H27-9/16" (W450 × H700)
- Max. Door weight: 8.8 lbs/pair (4 kg/pair)
- Rounded plate GH-34/0/CR is available.



Cut Out Dimension



Installation

Glass Thickness	A
3/16" (4 mm)	3/4" (19 mm)
3/16" (5 mm)	11/16" (18 mm)
1/4" (6 mm)	11/16" (17 mm)

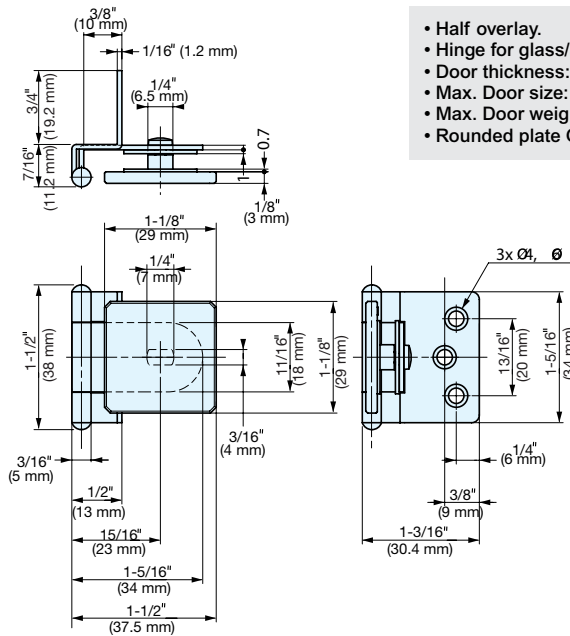
No.	Part Name	Material	Finish/Color
①	Body	Steel	Chrome
②	Plate	Zinc Alloy	
③	Washer	PVC	Clear
④	Screw	Steel	Nickel

Item No.	Weight (g)	Box (pcs)	Carton (pcs)
GH-34-0CR-K	34	150	900

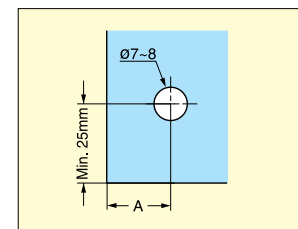
HALF OVERLAY GLASS DOOR HINGE



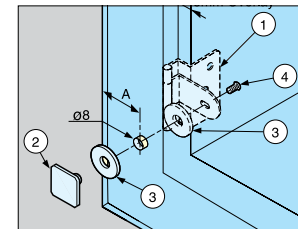
GH-34-8CR-K



- Half overlay.
- Hinge for glass/acrylic doors.
- Door thickness: 5/32"~1/4" (4~6 mm)
- Max. Door size: W17-3/4" × H27-9/16" (W450 × H700)
- Max. Door weight: 8.8 lbs/pair (4 kg/pair)
- Rounded plate GH-34/8/CR is available.



Cut Out Dimension



Installation

Glass Thickness	A	Overlay (mm)
3/16" (4 mm)	3/4" (19 mm)	5/16" (8 mm)
3/16" (5 mm)	11/16" (18 mm)	1/4" (7 mm)
1/4" (6 mm)	11/16" (17 mm)	1/4" (6 mm)

No.	Part Name	Material	Finish/Color
①	Body	Steel	Chrome
②	Plate	Zinc Alloy	
③	Washer	PVC	Clear
④	Screw	Steel	Nickel

Item No.	Weight (g)	Box (pcs)	Carton (pcs)
GH-34-8CR-K	37	50	500