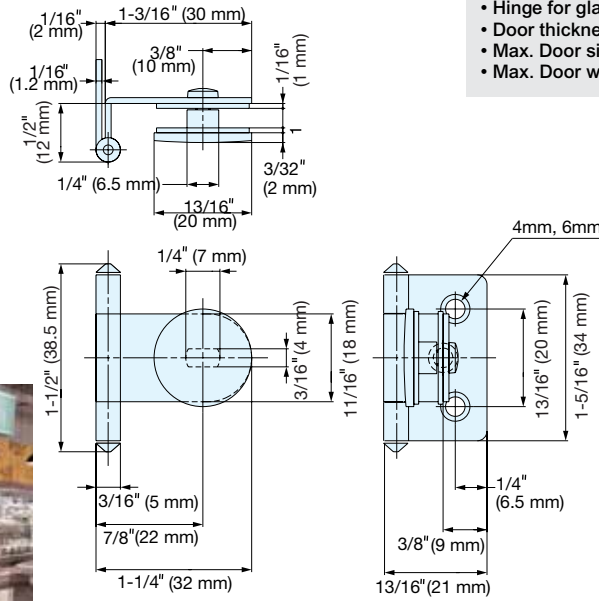


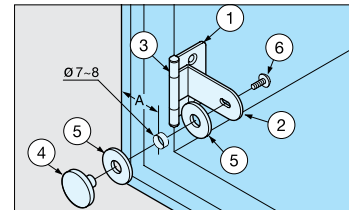
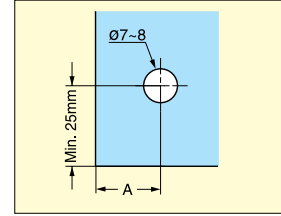
INSET GLASS DOOR HINGE



GH-34/0/S



- Hinge for glass/acrylic doors.
- Door thickness: 3/16"-1/4" (4-6 mm)
- Max. Door size: W17-3/4" x H27-9/16" (W450 x H700)
- Max. Door weight: 8.8 lbs/pair (4 kg/pair)



Installation

Glass Thickness	A
3/16" (4 mm)	3/4" (19 mm)
3/16" (5 mm)	11/16" (18 mm)
1/4" (6 mm)	11/16" (17 mm)

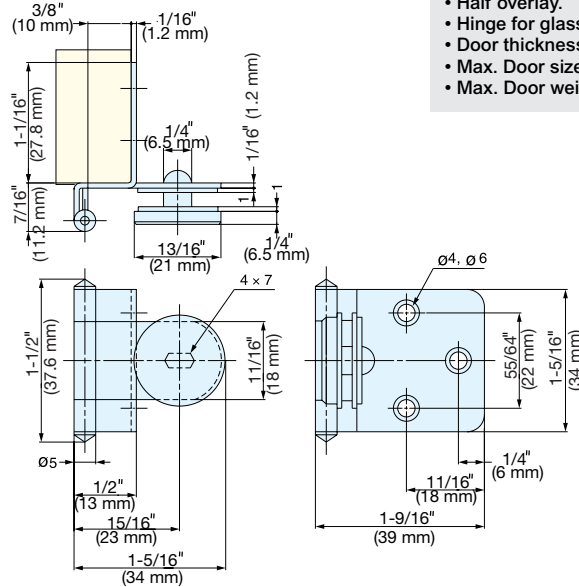
No.	Part Name	Material	Finish
①	Body	304 Stainless Steel	Plain
②	Arm		
③	Hinge Pin	Aluminum	Anodized
④	Plate	PVC	Clear
⑤	Washer	304 Stainless Steel	Plain
⑥	Screw		

Item No.	Weight (g)	Box (pcs)	Carton (pcs)
GH-34/0/S-P	15	150	900

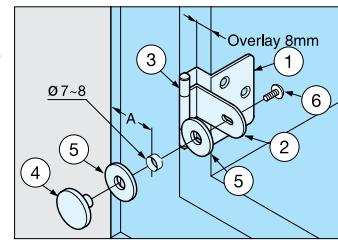
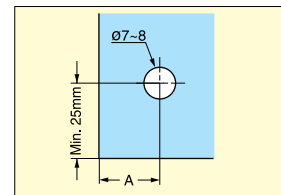
HALF OVERLAY GLASS DOOR HINGE



GH-34/8/S



- Half overlay.
- Hinge for glass/acrylic doors.
- Door thickness: 3/16"-1/4" (4-6 mm)
- Max. Door size: W17-3/4" x H27-9/16" (W450 x H700)
- Max. Door weight: 8.8 lbs/pair (4 kg/pair)



Installation

Glass Thickness	A	Overlay (mm)
3/16" (4 mm)	3/4" (19 mm)	5/16" (8 mm)
3/16" (5 mm)	11/16" (18 mm)	1/4" (7 mm)
1/4" (6 mm)	11/16" (17 mm)	1/4" (6 mm)

No.	Part Name	Material	Finish
①	Body	304 Stainless Steel	Plain
②	Arm		
③	Hinge Pin	Aluminum	Anodized
④	Plate	PVC	Clear
⑤	Washer	304 Stainless Steel	Plain
⑥	Screw		

Item No.	Weight (g)	Box (pcs)	Carton (pcs)
GH-34/8/S-P	21	100	600