

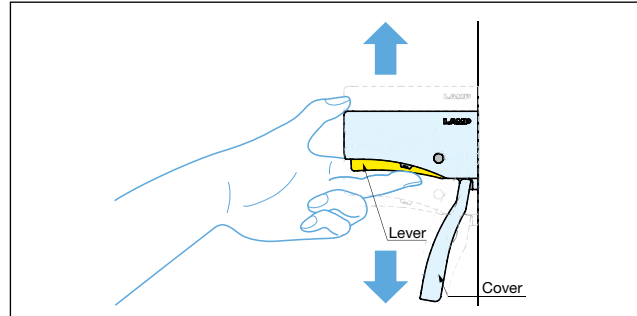
ADJUSTABLE MOUNT

FSL-V36

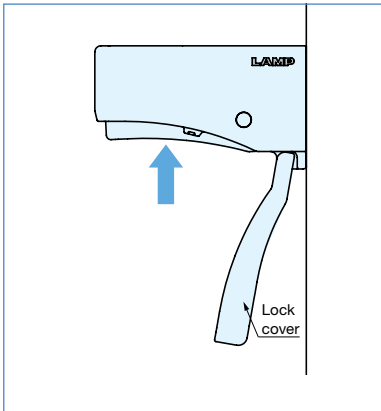


- Holds at any height on aluminium frames.
- The cover prevents unintentional lock release.
- Designed for use with the FSL-L, an aluminium frame.
- The cover prevents unintentional lock release.
- The locking mechanism prevents only downward motion.
- Can be installed to an aluminium frame that is already assembled.
- A monitor can be mounted on the FSL-V36 when used with the FSL-MB, an optional monitor-mounting bracket.

Holds at any height

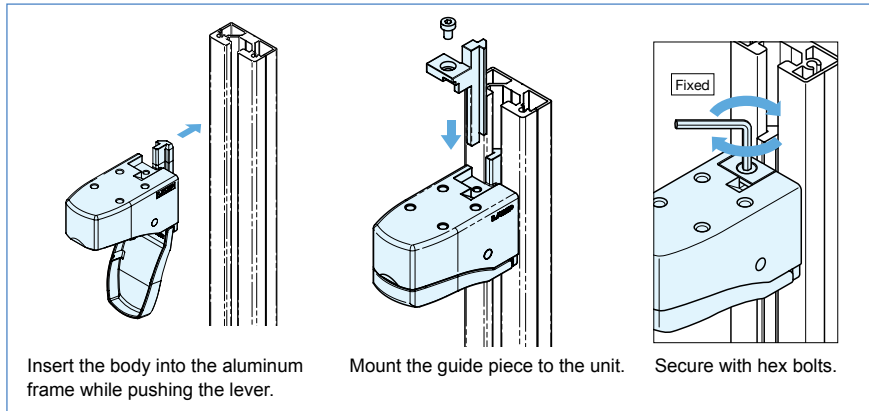


Operation

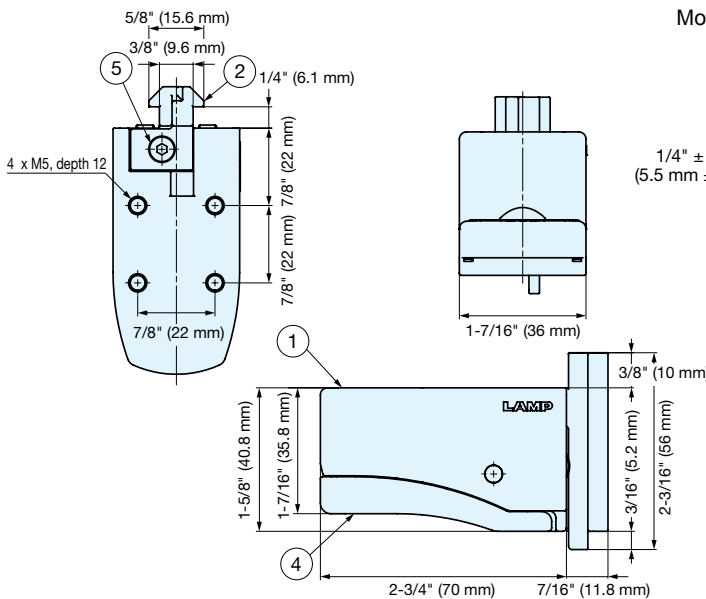


Open the cover and push the lever to move the unit up or down. The unit stops where the lever is released.

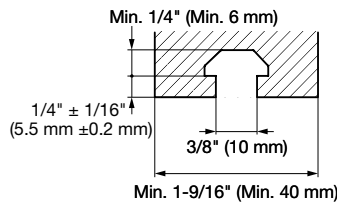
Installation



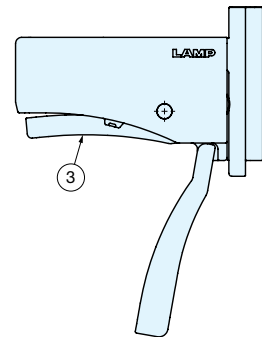
Can be installed to an aluminium frame that is already assembled. (see the instruction manual for details)



Mountable Aluminium Frame



When cover is opened



Item No. FSL-V36	Vertical Load Capacity 26.5 lbs (12 kg)	Weight (g) 310
---------------------	--	-------------------

No.	Part Name	Material	Finish
①	Main Body	Zinc Alloy (ZDC)	Satin Chrome Plating
②	Guide Piece		
③	Lever	ABS Resin	White
④	Lock Cover		
⑤	Hexagonal socket cap low head bolt M4x6	Stainless Steel	Plain