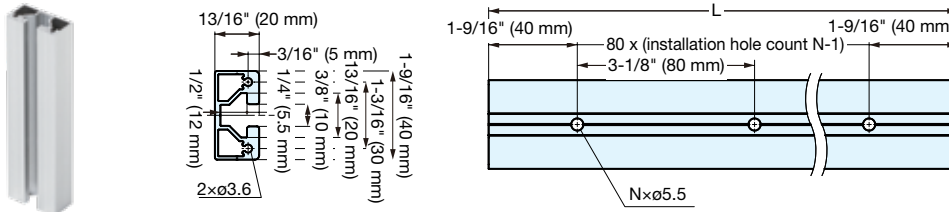


# ALUMINIUM FRAME

# FSL-L

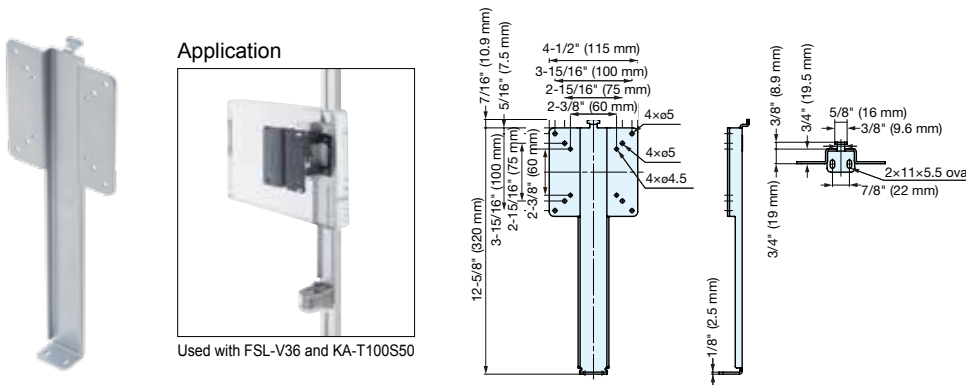


- Optional Parts:  
FSL-EC End Cap  
FSL-S4 Stopper

Item No.	L	Installation Hole Count N	Material	Finish	Weight (g)
FSL-L400	15-3/4" (400 mm)	5	Aluminium Alloy	Silver Anodising	333
FSL-L800	31-1/2" (800 mm)	10			665
FSL-L1200	47-1/4" (1200 mm)	15			998
FSL-L2000	78-3/4" (2000 mm)	25			1663

# MONITOR MOUNTING BRACKET

# FSL-MB

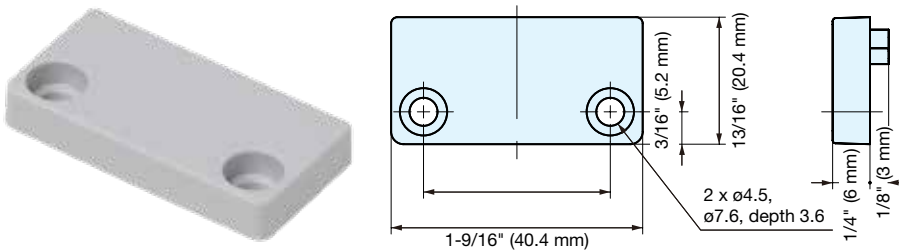


- Enables mounting of monitors with hole pitch compliant with the VESA standard (75 x 75 mm, 100 x 100 mm)

Item No.	Material	Finish/Color	Weight (g)
FSL-MB	Steel (SPCC)	Enamel Silver	566

# END CAP

# FSL-EC

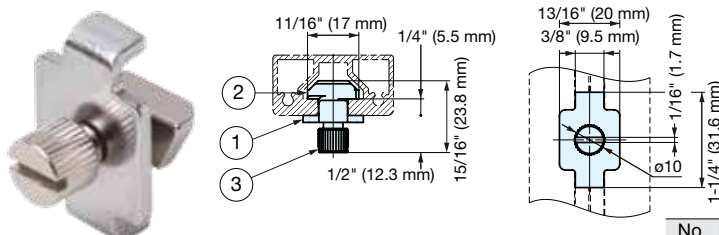


- End cap for the FSL-L Aluminium Frame.

Item No.	Material	Finish/Color	Weight (g)
FSL-EC	ABS Resin	Grey	3.1

# STOPPER

# FSL-S4



- A stopper for the FSL-L Aluminium Frame.
- Can also be used with other companies' aluminium frames that are over 40 mm in width. Please see the drawing of the FSL-V36 for details.

Item No.	Weight (g)	Box (pcs)
FSL-S4	22	20

No.	Part Name	Material	Finish
①	Body	SPCC	Chrome Plating
②	AS Nut	316 Stainless Steel	Barrel Polished
③	Knurled Knob	Steel	Nickel Plating