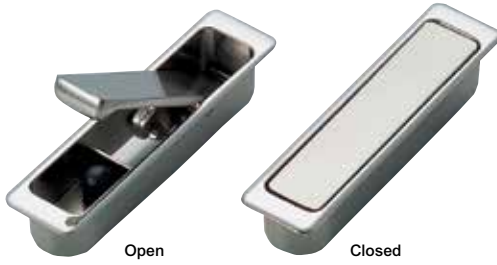


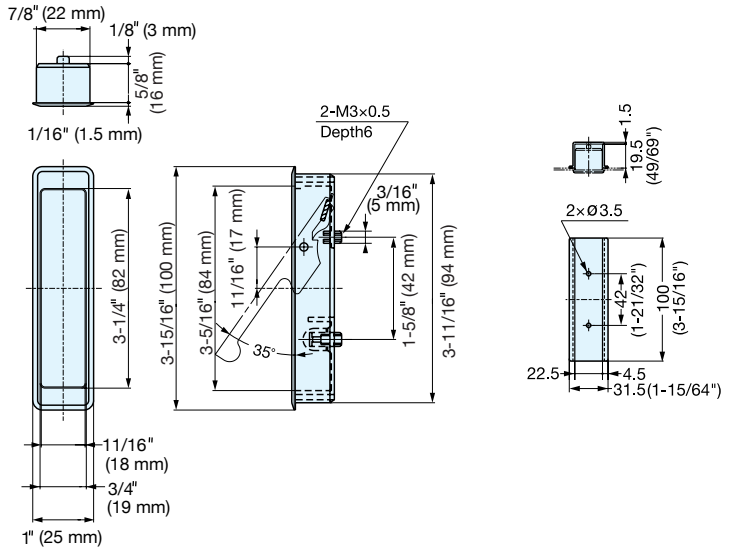
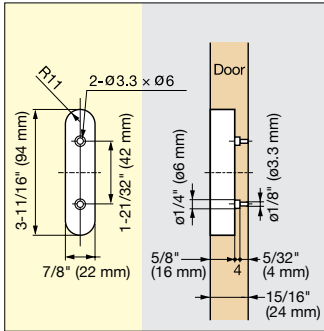


LEVER PULL

FH-100AK, FH-100BK



- FH-100AK-00 has detent to hold lever open or closed.
- FH-100BK-00 has spring to return lever to the closed position.
- Both models have rubber bumper inside to reduce noise when closing.
- Includes 1/2" long screws (M3 × 12).



Item No.	Weight (g)	Box (pcs)	Carton (pcs)	Part	Material	Finish
FH-100AK-00	100	12	72	Case	Zinc Alloy	Polished Nickel
FH-100BK-00				Handle		Satin Nickel

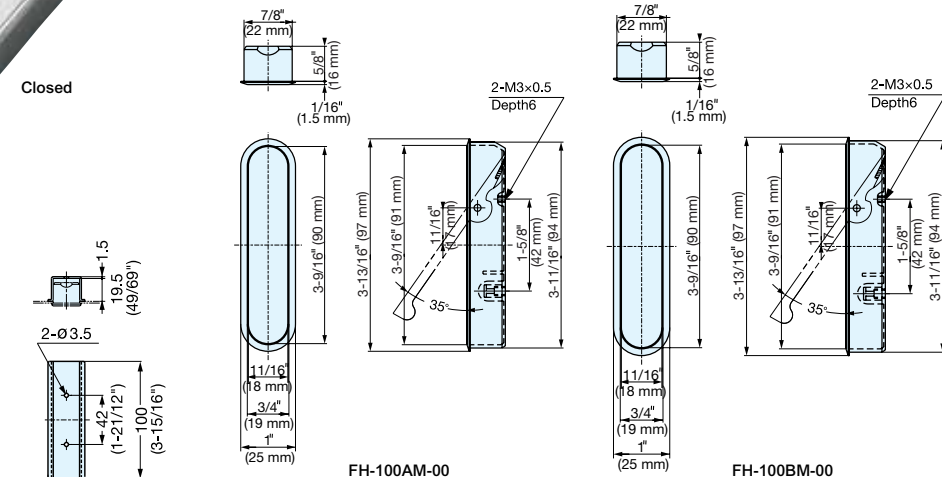
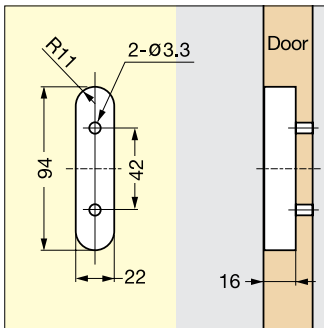
LEVER PULL



FH-100AM, FH-100BM



- FH-100AM-00 has detent to hold lever open or closed.
- FH-100BM-00 has spring to return lever to the closed position.
- Both models have rubber bumper inside to reduce noise when closing.
- Includes 1/2" long screws (M3 × 12).



Item No.	Weight (g)	Box (pcs)	Carton (pcs)	Part	Material	Finish
FH-100AM-00	103.5	12	72	Case	Zinc Alloy	Polished Nickel
FH-100BM-00				Handle		Satin Nickel