

FOLDING DOOR SYSTEM

FD30-F

SLIDING & FOLDING DOOR HARDWARE



Item No.	FD30UKP	FD30URP	FD30UMP	FD30UP
Application	Standard Folding (One pivot fixed)	Slidable (for partition use)	Slidable (for cabinet use)	Swing Door
Door Width	Max. 17-3/4" (450 mm)			
Door Height	Max. 94-1/2" (2400 mm)			
Door Thickness	Min. 1-3/16" (30 mm)			
Door Weight	Max. 33 lbs (15 kg) per door panel			

Parts Set (Per 2 doors)

Necessary Parts

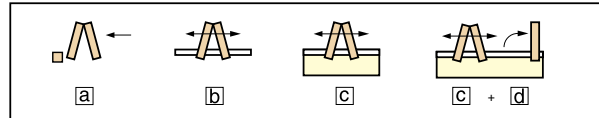
Please refer to "Qty [a] ~ [d] for parts included in each set.

	Item No.	Description
[a]	FD30UKP	Pivoted Folding, Center Hinge (Surface Mount)
[b]	FD30URP	Slidable Folding, Center Hinge (Door Edge Recessed Mount)
[c]	FD30UMP	Slidable Folding, Center Hinge (Back Side Recessed Mount)
[d]	FD30UP	Pivoted Swing open (Single Panel)

Parts Included

No.	Qty				Part Name / Item No.	Description
	a	b	c	d		
1	2 pcs	2 pcs	-	1 pc	Upper Roller (Recessed Type) FD30-WRH	• Material Zinc Alloy/Polyacetal • Finish Chromate/Light Brown
2	-	-	2 pcs	-	Upper Roller (Side-Mount) FD30-WRU	• Material Steel/Polyacetal • Finish Chromate/Brown
3	1 pc	-	-	-	Stopper Block FD30-HSB	• Material Polyacetal • Finish Dark Brown
4	1 pc	-	-	1 pc	Bottom Pin FD30-FBP	• Material Steel/Polyacetal • Finish Chromate/White
5	-	2 pcs	2 pcs	-	Guide Pin FD30-FGR	• Material Steel/Polyacetal • Finish Chromate/White
6	1 pc	1 pc	1 pc	1 pc	Pin Insert Jig FD30-FKPIJ	-
7	1 pc	-	-	1 pc	Spanner Wrench FD30-FSP	-
8	-	-	-	1 pc	Top Bracket FD30-FSK	• Material Steel • Finish Chromate

Configuration



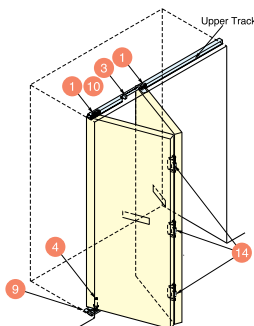
No.	Qty				Part Name / Item No.	Description
	a	b	c	d		
9	1 pc	-	-	-	Pivot Bracket (Bottom) FD30-FPU	• Material Steel • Finish Chromate
10	1 pc	-	-	1 pc	Fixing Plate FD30-FKK	• Material Steel • Finish Chromate
11	-	2 pc	2 pc	-	Upper Stopper FD30-FTST	• Material Steel/Polyacetal • Finish Chromate/Brown
12	-	2 pc	2 pc	-	Bottom Stopper FD30-FBKS	• Material Steel/Polyacetal • Finish Chromate/Brown
13	-	-	-	1 pc	Magnetic Catch FD30-FMC	• Material Steel/ABS Plastic • Finish Chromate/Brown
14	3 pcs	-	-	-	Center Hinge (Surface Mount, Angle adjustable) FD30-CHM	• Material Steel • Finish Black
15	-	-	3 pcs	-	Center Hinge (Recess Mount, Angle adjustable, W/Detent Stop) FD30-CHH	• Material Steel • Finish Black
16	-	3 pcs	-	-	Center Hinge (Door Edge Mount, Angle adjustable, W/Detent Stop) FD30-CHK	• Material Zinc Alloy • Finish Dark Brown

FOLDING DOOR SYSTEM (MAX. 33 LBS PER PANEL)

Upper Track		Necessary Parts				Bottom Guide Track		Necessary Parts <small>*Must be ordered when using b c d</small>			
	Mounting	Length	Item No.	Dimensions	Material / Finish		Mounting	Length	Item No.	Dimensions	Material / Finish
17	Surface Mount	35-13/16" (910 mm)	FD30-TRM910SIL		<ul style="list-style-type: none"> Material Aluminum Finish Anodized Silver 	25	Floor Surface Mount	35-13/16" (910 mm)	FD30-FBRM910SIL		<ul style="list-style-type: none"> Material Aluminum Finish Anodized Silver
18		71-5/8" (1820 mm)	FD30-TRM1820SIL			26		71-5/8" (1820 mm)	FD30-FBRM1820SIL		
19		107-1/2" (2730 mm)	FD30-TRM2730SIL			27		107-1/2" (2730 mm)	FD30-FBRM2730SIL		
20		143-5/16" (3640 mm)	FD30-TRM3640SIL			28		143-5/16" (3640 mm)	FD30-FBRM3640SIL		
21	Recessed Mount	35-13/16" (910 mm)	FD30-TRH910SIL		<ul style="list-style-type: none"> Material Aluminum Finish Anodized Silver 	29	Floor Recessed Mount	35-13/16" (910 mm)	FD30-FBRH910SIL		<ul style="list-style-type: none"> Material Aluminum Finish Anodized Silver
22		71-5/8" (1820 mm)	FD30-TRH1820SIL			30		71-5/8" (1820 mm)	FD30-FBRH1820SIL		
23		107-1/2" (2730 mm)	FD30-TRH2730SIL			31		107-1/2" (2730 mm)	FD30-FBRH2730SIL		
24		143-5/16" (3640 mm)	FD30-TRH3640SIL			32		143-5/16" (3640 mm)	FD30-FBRH3640SIL		

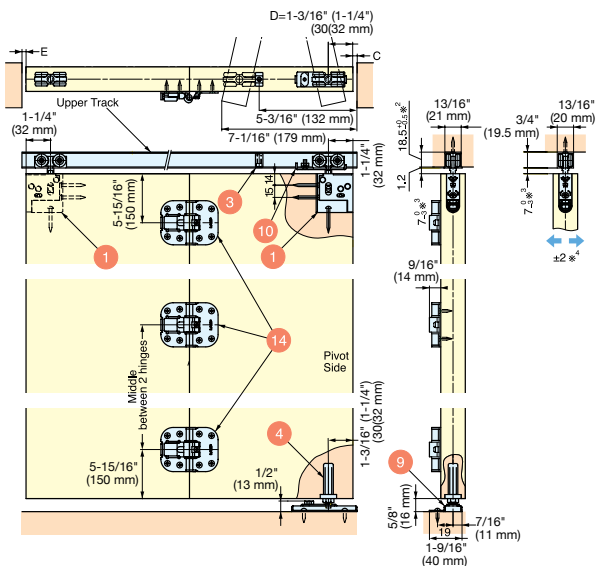
Optional Parts				
No.	Item No.	Part Name	Installation	Description
33	FD30-WRH-CP	End Cap (For Rollers)		<ul style="list-style-type: none"> Material Polypropylene Finish Brown *For roller 1
34	FD30-FMF	Door End Holder (Magnetic)		<ul style="list-style-type: none"> Material Polycarbonate Neodymium Finish Dark Brown
35	FD30-FTF	Door End Holder (Pin)		<ul style="list-style-type: none"> Material Polyamide / Steel Finish White / Chromate
36	FD30-FHL	Latch Unit		<ul style="list-style-type: none"> Material Polyacetal Finish Dark Brown *To be used when ordering c + d

a Pivoted Folding, Center Hinge - Surface Mount



• Center Hinge has angle adjustment, detent stop feature and mounted on surface at back side of door for easy installation.

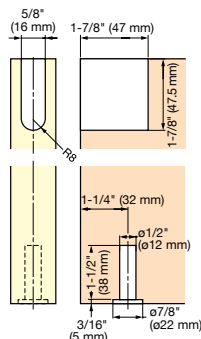
■ Installation Example
(In case of 1-9/16" thick, 17-3/4" wide door)



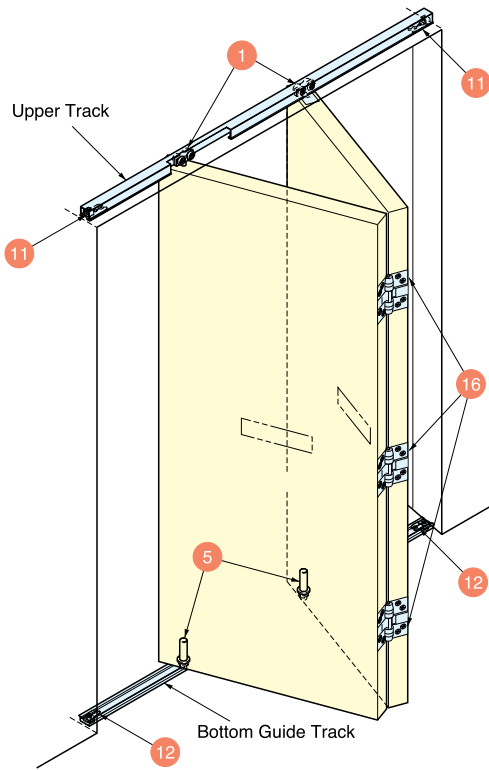
■ Gap - Door and Frame

Door Thickness	C=Gap	Gap total : C + E			
		Width 11-13/16" (300 mm)	Width 13-3/4" (350 mm)	Width 15-3/4" (400 mm)	Width 17-3/4" (450 mm)
1-3/16" (30 mm)	3/16" (4 mm)	5/16" (7.5 mm)	1/4" (7 mm)	1/4" (6.7 mm)	1/4" (6.4 mm)
1-3/8" (35 mm)	3/16" (5.2 mm)	3/8" (9.5 mm)	3/8" (8.9 mm)	5/16" (8.5 mm)	5/16" (8.2 mm)
1-9/16" (40 mm)	1/4" (6.5 mm)	7/16" (11.7 mm)	7/16" (11 mm)	7/16" (10.5 mm)	3/8" (10.1 mm)

■ Door Preparation

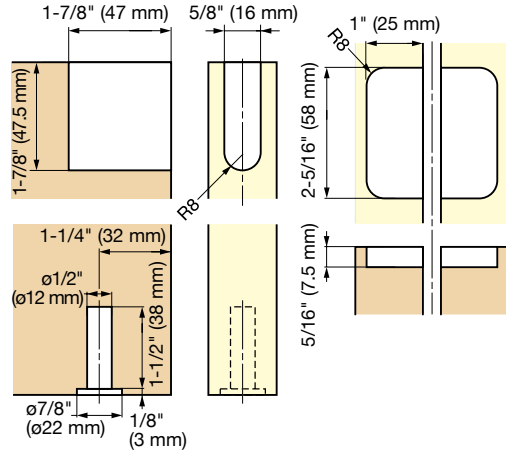


b Slidable Folding, Center Hinge – Door Edge Recessed Mount



- Center Hinge has angle adjustment, detent stop feature and mounted in recess at door edge which is invisible from both side.
- Detent center hinge allows the folding door to slide freely for easy access and to maximize the space.

■ Door Preparation

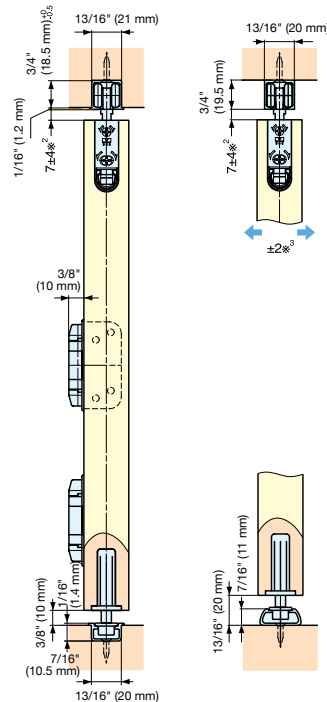
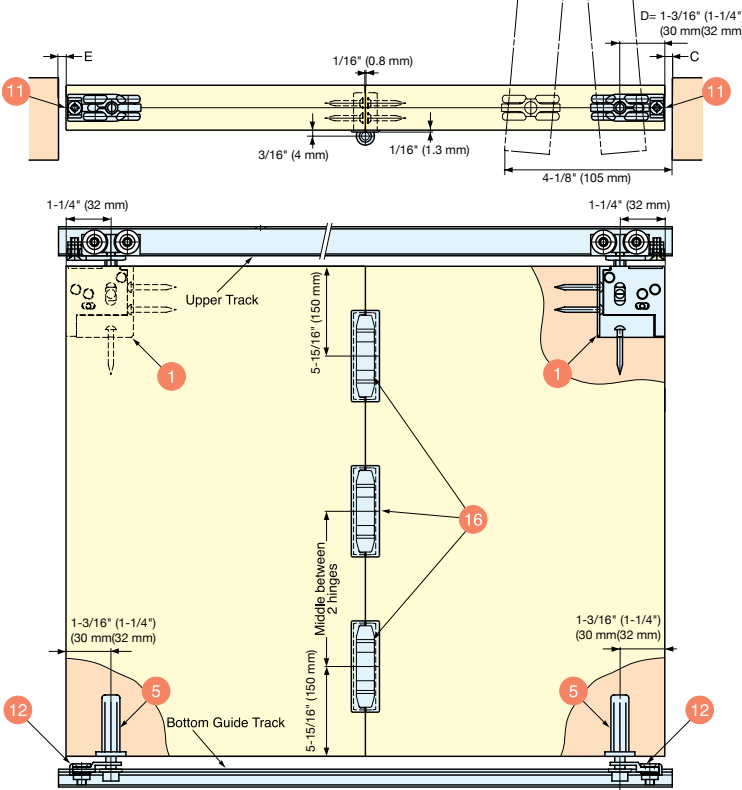


■ Gap - Door and Frame

Door Thickness	C=Gap	Gap total : C + E			
		Width 11-13/16" (300 mm)	Width 13-3/4" (350 mm)	Width 15-3/4" (400 mm)	Width 17-3/4" (450 mm)
1-3/16" (30 mm)	3/16" (4 mm)	5/16" (7.5 mm)	1/4" (7 mm)	1/4" (6.7 mm)	1/4" (6.4 mm)
1-3/8" (35 mm)	3/16" (5.2 mm)	3/8" (9.5 mm)	3/8" (9.5 mm)	5/16" (8.5 mm)	5/16" (8.2 mm)
1-9/16" (40 mm)	1/4" (6.5 mm)	7/16" (11.7 mm)	7/16" (11 mm)	7/16" (10.5 mm)	3/8" (10.1 mm)

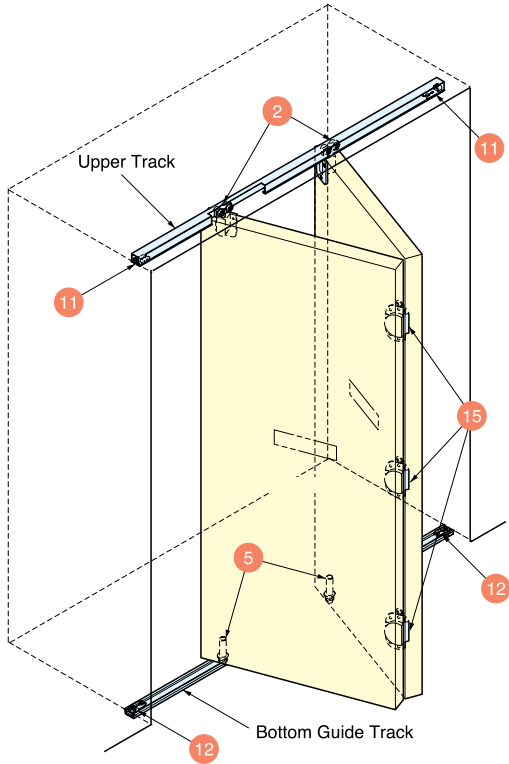
■ Installation Example

(In case of 1-9/16" thick, 17-3/4" wide door)



c Slidable Folding, Center Hinge – Back Side Recessed Mount

- Center Hinge has angle adjustment, detent stop feature and mounted in recess at back side of door.
- Detent center hinge allows the folding door to slide freely for easy access and to maximize the space.

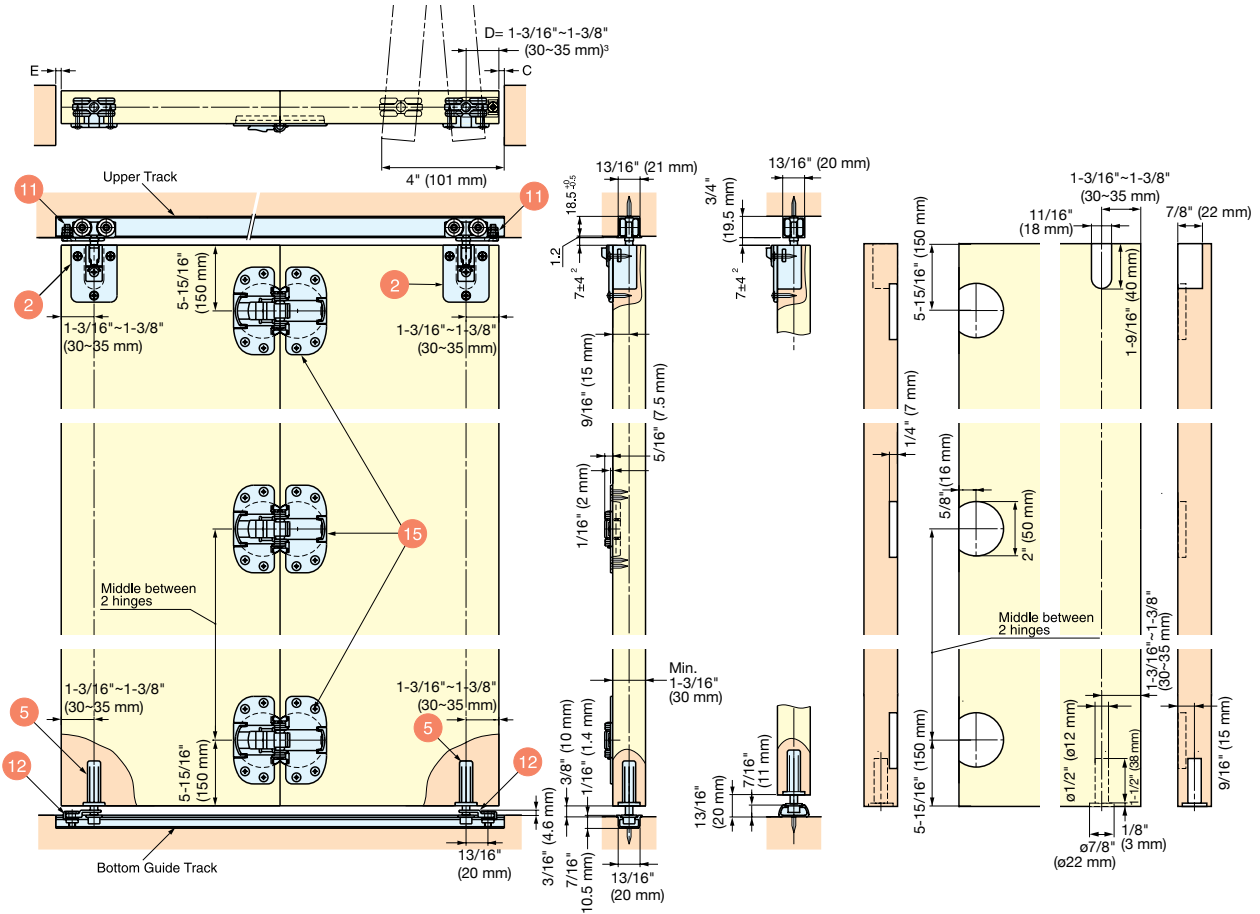


■ Gap - Door and Frame

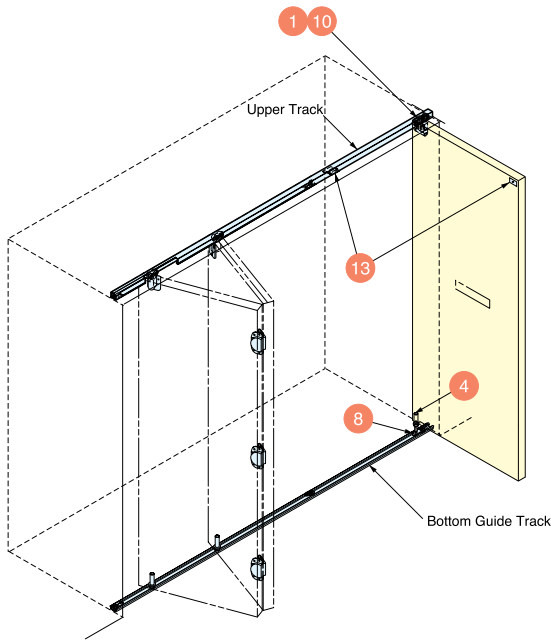
Door Thickness	C=Gap	Gap total : C + E			
		Width 11-13/16" (300 mm)	Width 13-3/4" (350 mm)	Width 15-3/4" (400 mm)	Width 17-3/4" (450 mm)
1-3/16" (30 mm)	1/8" (3.6 mm)	1/4" (6 mm)	1/4" (5.7 mm)	1/4" (5.5 mm)	3/16" (5.3 mm)
1-3/8" (35 mm)	1/4" (5.8 mm)	3/8" (8.8 mm)	5/16" (8.4 mm)	5/16" (8.1 mm)	5/16" (7.9 mm)
1-9/16" (40 mm)	1/2" (12 mm)	1/2" (12 mm)	7/16" (11.6 mm)	7/16" (11.2 mm)	7/16" (11 mm)

■ Installation Example

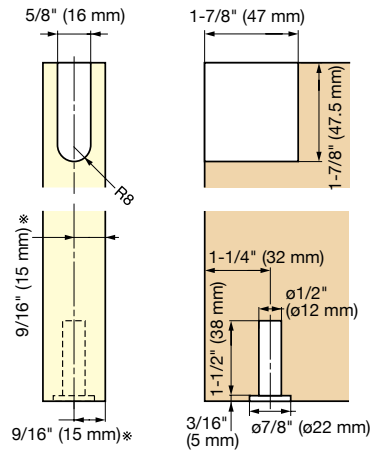
(In case of 1-9/16" thick, 17-3/4" wide door)



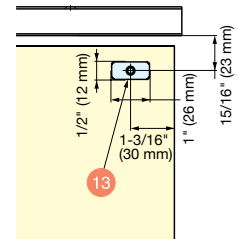
d Pivoted Swing open (Single Panel)



■ Door Preparation

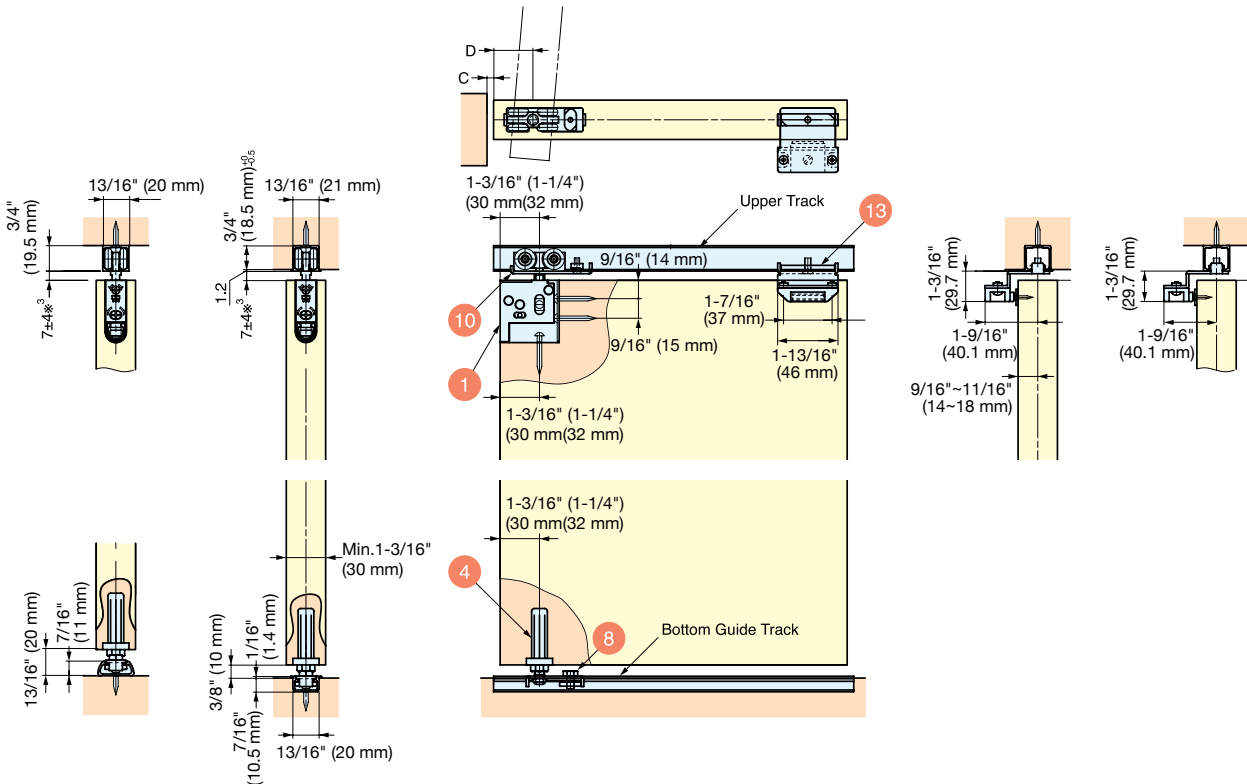


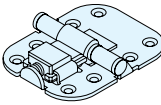
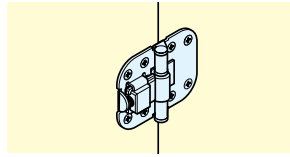
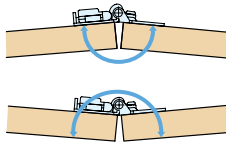
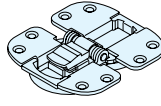
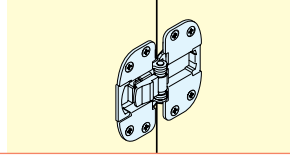
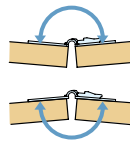
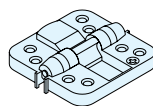
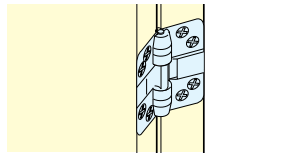
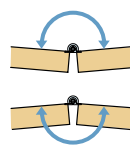
■ Preparation for counter plate

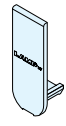
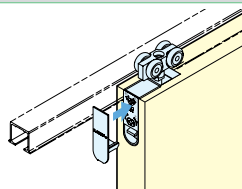
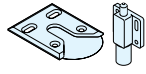
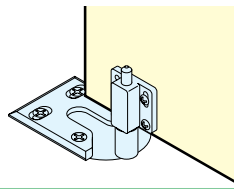
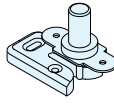
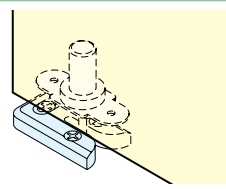
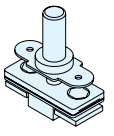
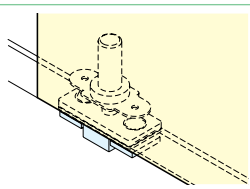


■ Gap - Door and Frame

Door Thickness	C=Gap (In Case D = 1-3/16" (30 mm))
1-3/16" (30 mm)	3/16" (4 mm)
1-3/8" (35 mm)	3/16" (5.2 mm)
1-9/16" (40 mm)	1/4" (6.5 mm)



Center Hinge - Details				
No.	Item No.	Installation	Angle Adjustment	Detent
14	 FD30-CHM	Surface Mount 		37° angle
15	 FD30-CHH	Back Side Recessed Mount 		50° angle
16	 FD30-CHK	Door Edge Recessed Mount 		47° angle

Optional Parts - Details				
No.	Part Name / Item No.	Installation	Specification	Description
33	End Cap (For Rollers)  FD30-WRH-CP		Cover Cap for Upper Roller ①	<ul style="list-style-type: none"> • Material Polypropylene • Finish Brown
34	Door End Holder (Magnetic)  FD30-FMF		Prevents door racking when door is closed, especially in double doors	<ul style="list-style-type: none"> • Material Polycarbonate Neodymium • Finish Dark Brown
35	Door End Holder (Pin)  FD30-FTF		Prevents door racking when door is closed, especially in double doors	<ul style="list-style-type: none"> • Material Polyamide / Steel • Finish White / Chromate
36	Latch Unit  FD30-FHL		To hold the door close in [d] configuration, to be installed on bottom guide track	<ul style="list-style-type: none"> • Material Polypropylene • Finish Brown