

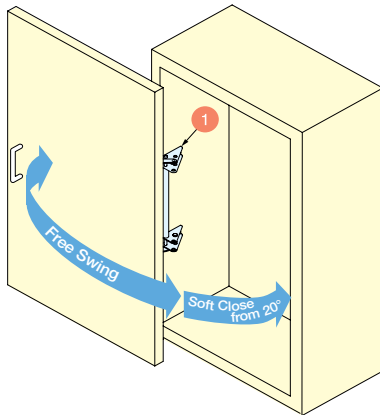


MonoFlat FAD™

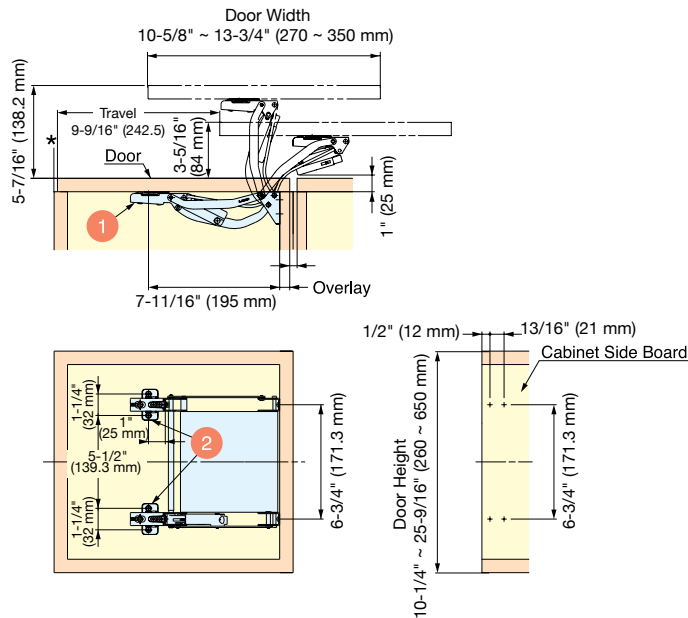
Door Width	10-5/8"~13-3/4" (270~350 mm)
Door Height	10-1/4"~25-9/16" (260~650 mm)
Door Thickness	19/32"~25/32" (15~20 mm)
Door Weight	11 lbs (5 kg)

LATERAL OPENING DOOR SYSTEM (For Light Weight Doors)

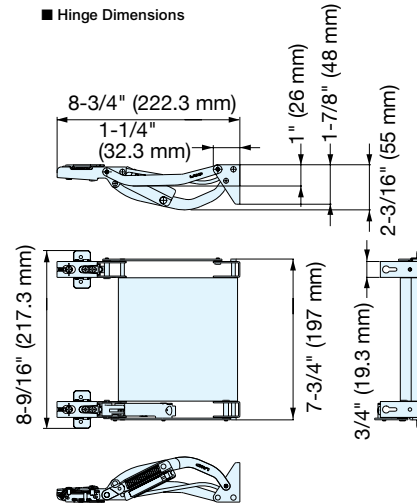
FAD-5



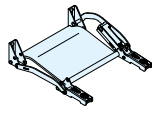
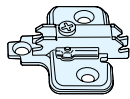
- Lateral Swing Mechanism
Allows doors to swing out laterally in a small radius, ideal for tight front space application.
- Free Swing & Soft-close
- 3-Way Adjustable
- Various Applications
Can be used in single or double door configuration.
Ideal for cabinets in kitchen, bathroom, laundry room etc.
*For overlay use.



■ Hinge Dimensions



■ Part Details

No.	Qty	Part Name	Material / Finish
1	1pc	 Hinge Body	<ul style="list-style-type: none"> • Material Aluminum, Polyacetal, Steel • Finish/Color Anodized, Grey, Nickel
2	2pcs	 Mounting Plate	<ul style="list-style-type: none"> • Material/Steel • Finish/Nickel

Item No.	Box (sets)
FAD-5	1

1set includes both hinge body and mounting plates.
*4mm gap required between doors.