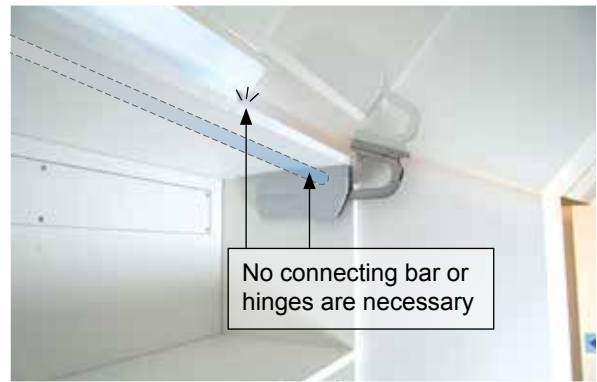


LIFT ASSIST MECHANISM

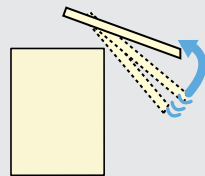


- Lapcon stay for UPWARD-OPENING FLAP DOORS.
- Door opens over the cabinet.
(Space of 4-5/16" is required over cabinet)
- Lift-assist mechanism for extra light-opening.
- Door stays in any desired position.
- Damper equipped for soft & silent closing at the end.
- Slim design and installed location maximizes space inside of cabinet.
- Simple installation by aligning body to edge of cabinet.
- No hinges/connecting bar needed.
- Door height adjustable. (Horizontal $\pm 1/16"$, Vertical $\pm 1/16"$)
- Successfully passed 30,000 open/close private cycle tests.
- Recommended Door Size and Weight:
 - Width, Max. 47-1/4" (1200 mm)
 - Height, 19-11/16"~29-1/2" (500~750 mm)/Door
 - Weight, 11~27.5 lbs (5~12.5 kg)/Door
- Sold per pair.

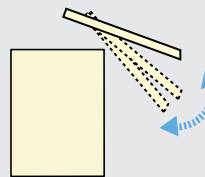


3 functions on 1 stay

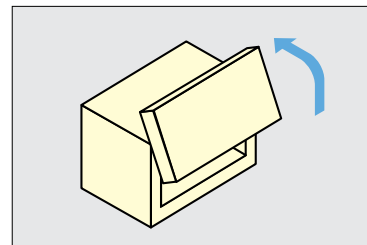
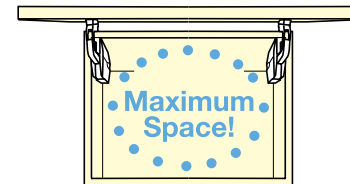
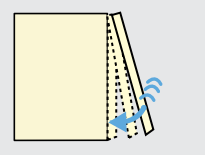
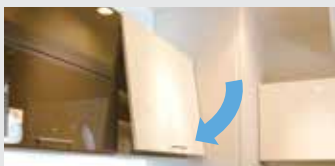
1. Lift-assist



2. Free stop

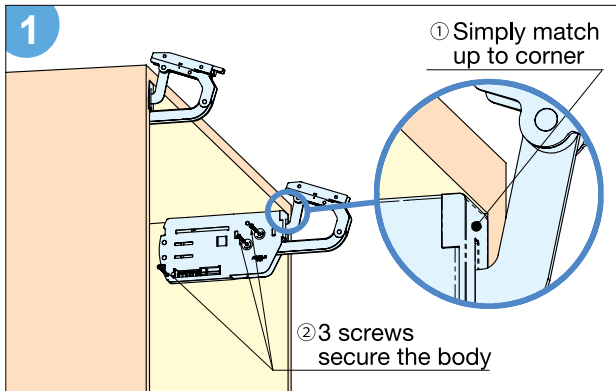


3. Soft-close

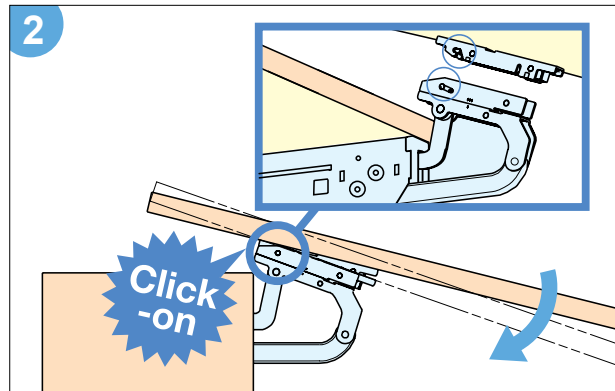


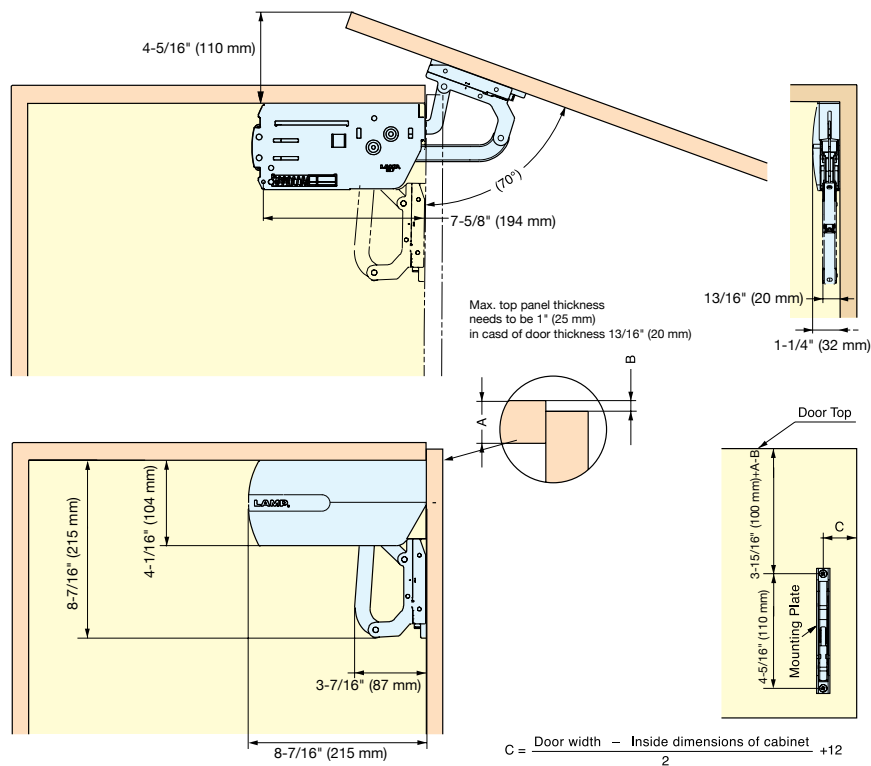
Easy Installation

1



2




■ Door Weight Range Table (lbs.) Per Pair

Door Height (Inches)	EZS-ELAN-LL		EZS-ELAN-ML		EZS-ELAN-MM		EZS-ELAN-HM		EZS-ELAN-HH	
	Min	Max	Min	Max	Min	Max	Min	Max	Min	Max
19	10.7	15.7	15.7	21.0	21.0	26.5	26.5	29.9	29.9	36.8
20	10.3	15.0	15.0	20.0	20.0	25.3	25.3	28.5	28.5	35.0
21	9.8	14.3	14.3	19.1	19.1	24.1	24.1	27.2	27.2	33.4
22	9.4	13.7	13.7	18.3	18.3	23.0	23.0	26.0	26.0	31.9
23	9.0	13.2	13.2	17.5	17.5	22.1	22.1	24.9	24.9	30.6
24	8.7	12.7	12.7	16.8	16.8	21.2	21.2	23.9	23.9	29.3
25	8.4	12.2	12.2	16.2	16.2	20.4	20.4	23.0	23.0	28.2
26	8.1	11.8	11.8	15.6	15.6	19.7	19.7	22.2	22.2	27.2
27	7.9	11.4	11.4	15.1	15.1	19.0	19.0	21.4	21.4	26.2
28	7.6	11.0	11.0	14.6	14.6	18.3	18.3	20.6	20.6	25.3
29	7.4	10.7	10.7	14.1	14.1	17.7	17.7	20.0	20.0	24.4
30	7.2	10.3	10.3	13.7	13.7	17.2	17.2	19.3	19.3	23.7
31	7.0	10.0	10.0	13.3	13.3	16.6	16.6	18.7	18.7	22.9
32	6.8	9.8	9.8	12.9	12.9	16.2	16.2	18.2	18.2	22.3

■ Lifting power

Door height (inch) x (Door weight (lbs) -1)

Item No.	Lifting Power (lbs-in)
EZS-ELAN-LL	185~280
EZS-ELAN-ML	280~380
EZS-ELAN-MM	380~485
EZS-ELAN-HM	485~550
EZS-ELAN-HH	550~680

Item No.	Weight (g)	Box (pcs)
EZS-ELAN-LL	4.9 lbs (2245)	5
EZS-ELAN-ML	5.0 lbs (2316)	
EZS-ELAN-MM	5.25 lbs (2387)	
EZS-ELAN-HM	5.35 lbs (2431)	
EZS-ELAN-HH	5.45 lbs (2475)	

Material	Finish/Color
Steel, ABS	Light Grey, Nickel