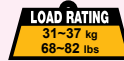


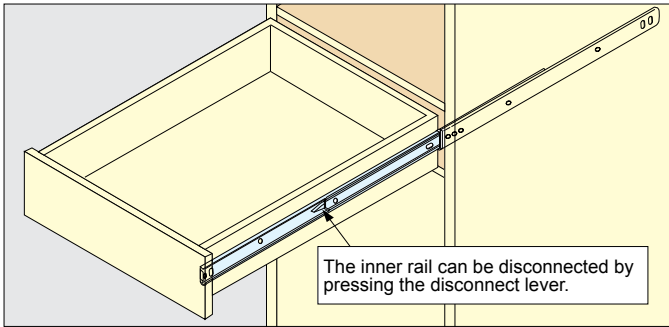
FULL EXTENSION SOFT CLOSE SLIDE



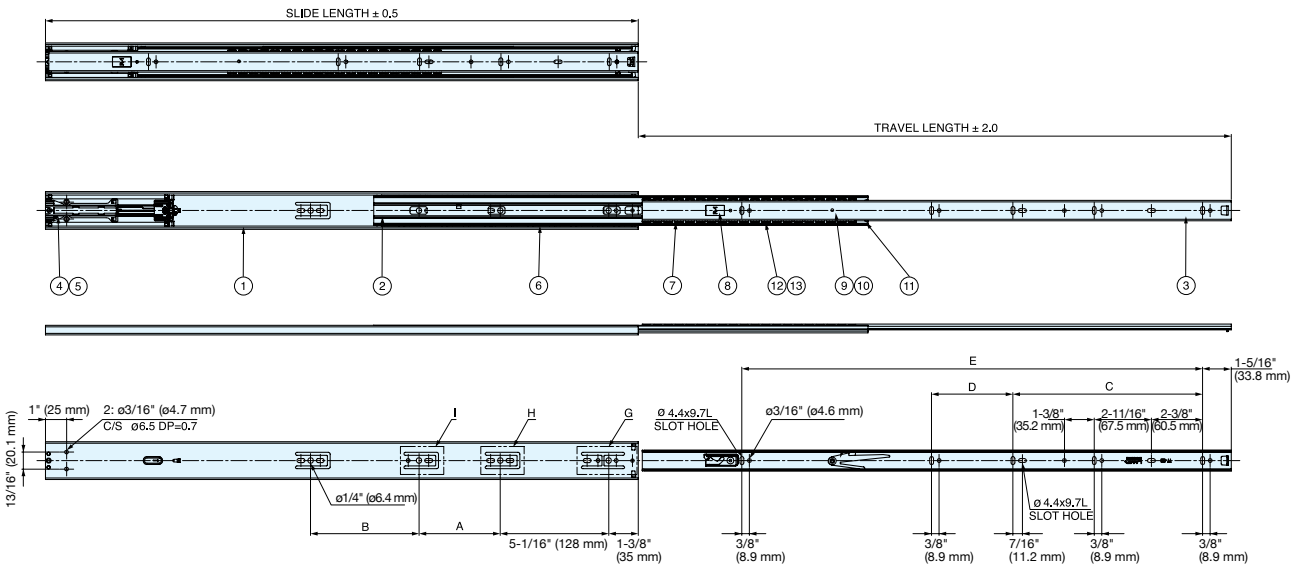
ESR-SC4513

DRAWER SLIDES

FULL EXTENSION SOFT CLOSE SLIDES

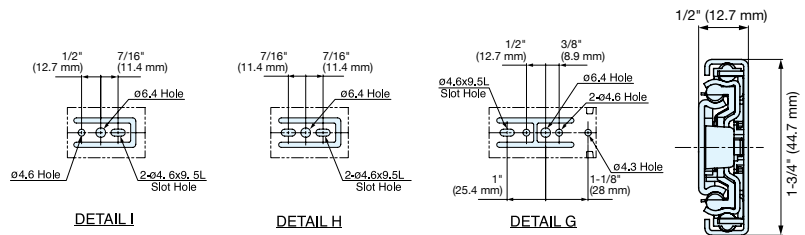


- Soft close feature for smooth, silent movement.
- Full extension.
- Front disconnect.
- Positive stop.
- Hold-in detent 1.5 lb (700 g-f) max.
- Handed: specific left and right hand mounting.
- Sold in pairs.
- Inner member clearance provided for screws 5/16" x 1/16" (8 mm x 2 mm) HT.
- Outer member clearance provided for screws 5/16" x 1/16" (8 mm x 2 mm) HT.
- Mount with M4 or #8 Binding, Pan, or Truss head screws.



25.4 mm=1"

Part Name	Material
Outer Member	304 Stainless Steel
Middle Member	
Inner Member	
Damper S/C Assy	304 Stainless Steel/POM / Nylon 66
Rivet #1	304 Stainless Steel
Retainer	Polypropylene
Ball Case	304 Stainless Steel
Hook Block	Nylon 66
Rivet #2	304 Stainless Steel
Disconnecter	Nylon 66
Stopper (Guide)	Nylon 6
Balls	304 Stainless Steel
Lubricant	H1 Grade



* Only on ESR-SC4513-18

Item No.	Slide Length	Travel Length	A	B	C	D	E	Load Rating (pair)	Weight (g)	Box (Pair)	
ESR-SC4513-16	15-3/4" (400 mm)	15-3/4" (400 mm)	-	-	-	-	-	82 lbs (37 kg)	996	10	
ESR-SC4513-18	17-3/4" (450 mm)	17-3/4" (450 mm)	3-3/4" (96)	-	8-3/8" (212.8)	-	-	79 lbs (36 kg)	1153		
ESR-SC4513-20	19-11/16" (500 mm)	19-11/16" (500 mm)		-	8-13/16" (224 mm)	-	-	(339)	77 lbs (35 kg)		1303
ESR-SC4513-22	21-5/8" (550 mm)	21-5/8" (550 mm)		-		-	-	(384)	75 lbs (34 kg)		1472
ESR-SC4513-24	23-5/8" (600 mm)	23-5/8" (600 mm)		-		-	2-1/2" (64)	(416)	73 lbs (33 kg)		1623
ESR-SC4513-26	25-9/16" (650 mm)	25-9/16" (650 mm)		5-1/16" (128)		-	3-3/4" (96 mm)	(496)	70 lbs (32 kg)		1779
ESR-SC4513-28	27-9/16" (700 mm)	27-9/16" (700 mm)		-		-	-	(544)	68 lbs (31 kg)		1940

() units in mm.