

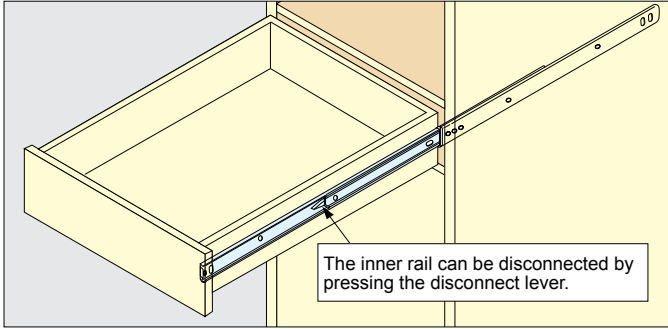
# FULL EXTENSION SLIDE



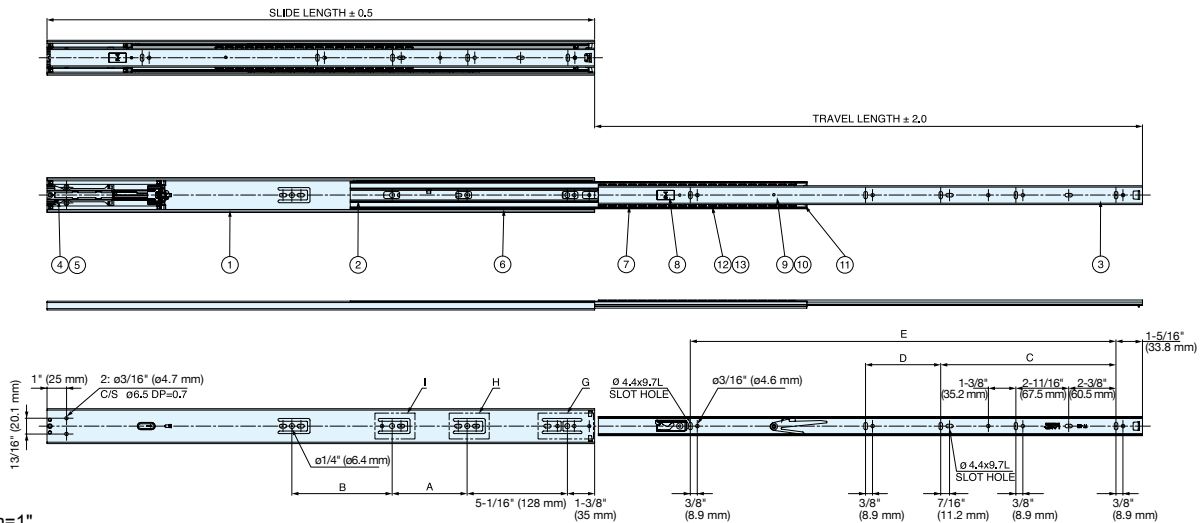
# ESR-DC4513

DRAWER SLIDES

STAINLESS STEEL SLIDES

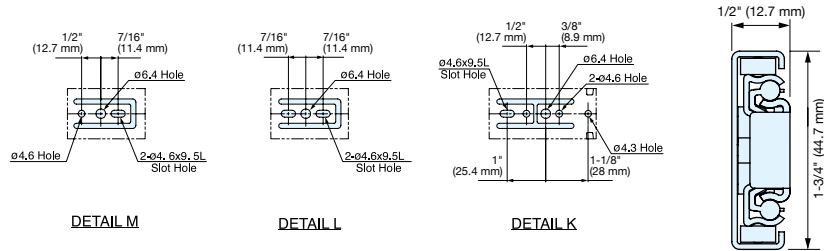


- Full extension.
- Front disconnect.
- Positive stop.
- Hold-in detent.
- Non-handed.
- Sold in pairs.
- Mount with M4 or #8, Binding or Pan head screws.



25.4mm=1"

Part Name	Material
Outer Member	
Middle Member	304 Stainless Steel
Inner Member	
Retainer	Polypropylene
Ball Case	304 Stainless Steel
Stopper (Guide)	Nylon 6
Disconnecter	Nylon 66
Rivet	304 Stainless Steel
Stopper	Urethane
Balls	304 Stainless Steel
Lubricant	H1 Grade



Item No.	Slide Length	Travel Length	A	B	C	D	E	F	G	H	I	Load Rating (pair)	Weight (g)	Box (Pair)
ESR-DC4513-8	7-7/8" (200 mm)	7-7/8" (200 mm)	-	-	-	-	-	-	(142)	-	-	119 lbs (54 kg)	447	10
ESR-DC4513-10	9-13/16" (250 mm)	9-13/16" (250 mm)	-	-	-	-	-	-	(192)	-	-	115 lbs (52 kg)	603	
ESR-DC4513-12	11-13/16" (300 mm)	11-13/16" (300 mm)	-	-	-	-	-	-	(242)	-	-	111 lbs (50 kg)	754	
ESR-DC4513-14	13-3/4" (350 mm)	13-3/4" (350 mm)	-	-	-	-	-	-	(292)	-	-	108 lbs (49 kg)	919	
ESR-DC4513-16	15-3/4" (400 mm)	15-3/4" (400 mm)	-	(96)	-	-	-	-	(342)	-	-	104 lbs (47 kg)	1064	
ESR-DC4513-18	17-3/4" (450 mm)	17-3/4" (450 mm)	-	(128)	-	2-3/8" (60.5)	-	-	(392)	(72)	-	100 lbs (46 kg)	1228	
ESR-DC4513-20	19-11/16" (500 mm)	19-11/16" (500 mm)	3-3/4" (96)	(192)	-	-	-	-	(442)	(122)	-	97 lbs (44 kg)	1373	
ESR-DC4513-22	21-5/8" (550 mm)	21-5/8" (550 mm)	-	-	(96)	-	2-11/16" (67.5)	-	(492)	(76)	(96)	94 lbs (43 kg)	1528	
ESR-DC4513-24	23-5/8" (600 mm)	23-5/8" (600 mm)	-	-	(128)	-	-	3-3/4" (96)	(542)	(126)	-	92 lbs (42 kg)	1687	
ESR-DC4513-26	25-9/16" (650 mm)	25-9/16" (650 mm)	5-1/16" (128)	-	(128)	-	-	-	(592)	(48)	(128)	90 lbs (41 kg)	1854	
ESR-DC4513-28	27-9/16" (700 mm)	27-9/16" (700 mm)	-	-	(192)	-	-	-	(642)	(98)	-	87 lbs (40 kg)	2020	

( ) units in mm.