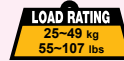
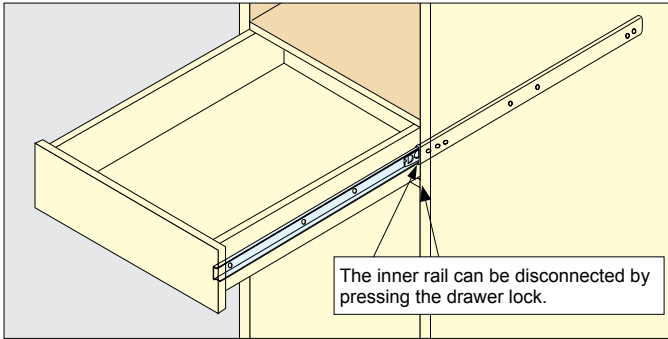


3/4 EXTENSION SLIDE



ESR-8

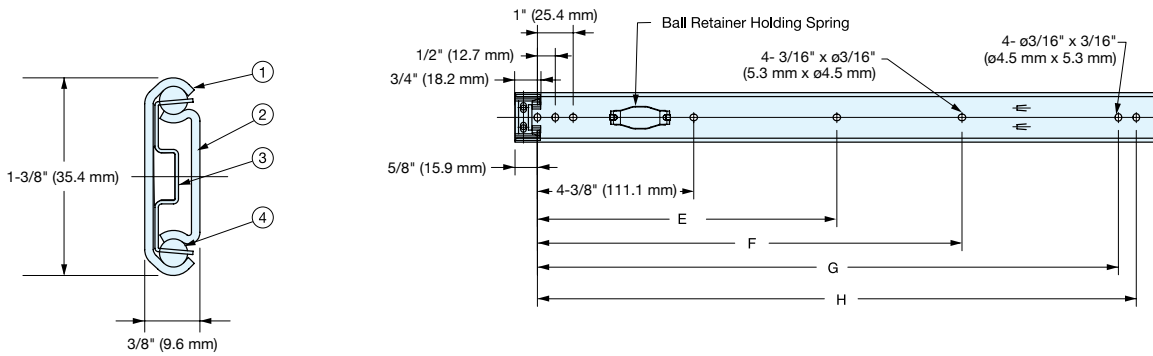
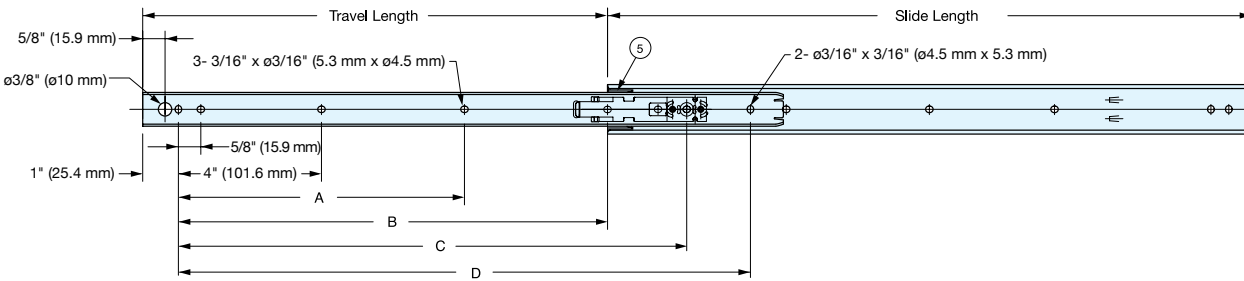
DRAWER SLIDES



- 3/4 extension.
- Positive lock.
- Front disconnect.
- Non-handed.
- Sold by each.
- Mount with M4 or #8 Binding, Pan, or Truss head screws.



STAINLESS STEEL SLIDES



25.4 mm=1"

No.	Part	Material
①	Outer Rail	304 Stainless Steel
②	Inner Rail	
③	Retainer	
④	Balls	
⑤	Guide Block	Polyacetal

Item No.	Slide Length	Travel Length	A	B	C	D	E	F	G	H	# of Holes		Load Rating /pair	Weight (g)	Box (pcs)
											Inner Rail	Outer Rail			
ESR-8-12	12" (304.8 mm)	9" (228.6 mm)	-	(152.4)	(259.5)	-	-	(149.2)	(260.3)	(273)	4	7	107 lbs (49 kg)	310	20
ESR-8-14	14" (355.6 mm)	11" (279.4 mm)	-	(203.2)	(310.3)	-	-	(200)	(311.1)	(323.8)	4	7	103 lbs (47 kg)	370	
ESR-8-16	16" (406.4 mm)	12" (304.8 mm)	-	(203.2)	(335.7)	(355.6)	-	(250.8)	(361.9)	(374.6)	4	7	94 lbs (43 kg)	420	
ESR-8-18	18" (457.2 mm)	13" (330.2 mm)	8" (203.2 mm)	-	(366.1)	(406.4)	(212.7)	(301.6)	(412.7)	(425.4)	5	8	90 lbs (41 kg)	470	
ESR-8-20	20" (508 mm)	15" (381 mm)	9" (228.6 mm)	-	(411.9)	(457.2)	(238.1)	(352.4)	(463.5)	(476.2)	5	8	81 lbs (37 kg)	500	
ESR-8-22	22" (558.8 mm)	16" (406.4 mm)	10" (254 mm)	-	(437.3)	(508)	(263.5)	(403.2)	(514.3)	(527)	5	8	74 lbs (34 kg)	550	
ESR-8-24	24" (609.6 mm)	17" (432.8 mm)	10" (254 mm)	-	(463.7)	(558.8)	(288.9)	(454)	(565.1)	(577.8)	5	8	66 lbs (30 kg)	600	
ESR-8-26	26" (660.4 mm)	19" (482.6 mm)	10" (254 mm)	-	(513.5)	(609.6)	(314.3)	(504.8)	(615.9)	(628.6)	5	8	59 lbs (27 kg)	670	
ESR-8-28	28" (711.2 mm)	20" (508 mm)	11" (279.4 mm)	-	(558.8)	(660.4)	(339.7)	(555.6)	(666.7)	(679.4)	5	8	55 lbs (25 kg)	680	

() units in mm.