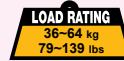


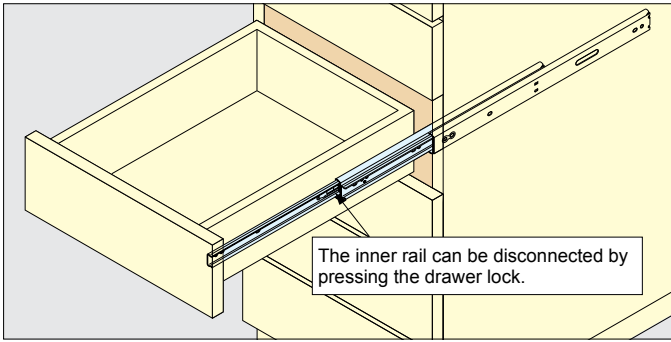
FULL EXTENSION SLIDE



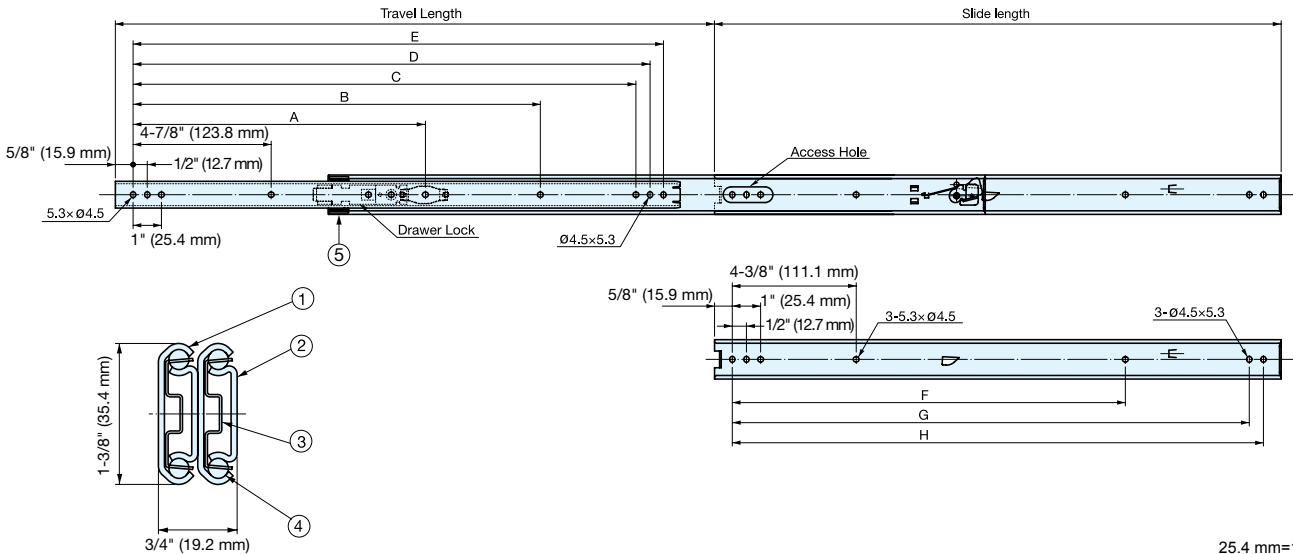
ESR-7

DRAWER SLIDES

STAINLESS STEEL SLIDES



- Full extension.
- Front disconnect.
- Positive lock.
- Non-handed.
- Sold by each.
- Mount with M4 or #8 Binding, Pan, or Truss head screws.



25.4 mm=1"

No.	Part	Material
①	Outer Rail	304 Stainless Steel
②	Inner Rail	
③	Retainer	
④	Balls	
⑤	Guide Block	Polyacetal

Item No.	Slide Length	Travel Length	A	B	C	D	E	F	G	H	# of Holes Inner Rail Outer Rail	Load Rating (kg/pair)	Weight (g)	Box (pcs)	
ESR-7-12	12" (304.8 mm)	13-7/32" (336 mm)	-	-	-	(260.3)	(273)	-	(260.3)	(273)	5	139 lbs (64 kg)	640	16	
ESR-7-14	14" (355.6 mm)	15-7/32" (386.8 mm)				(311.1)	(323.8)	(311.1)	(323.8)	6	131 lbs (60 kg)	740			
ESR-7-16	16" (406.4 mm)	17-7/32" (437.6 mm)	8-3/8" (212.7 mm)	-	-	(349.2)	(361.9)	(374.6)	(250.8)	(361.9)	(374.6)	6	124 lbs (57 kg)		840
ESR-7-18	18" (457.2 mm)	19-7/32" (488.4 mm)				(400)	(412.7)	(425.4)	(301.6)	(412.7)	(425.4)	7	115 lbs (53 kg)		950
ESR-7-20	20" (508 mm)	21-7/32" (539.2 mm)	9-3/8" (238.1 mm)	(415.9)	(501.6)	(450.8)	(463.5)	(476.2)	(352.4)	(463.5)	(476.2)	7	106 lbs (49 kg)		1030
ESR-7-22	22" (558.8 mm)	23-7/32" (590 mm)	10-3/8" (263.5 mm)			(514.3)	(527)	(403.2)	(514.3)	(527)	7		99 lbs (45 kg)		1150
ESR-7-24	24" (609.6 mm)	25-7/32" (640.8 mm)	11-3/8" (288.9 mm)	(466.7)	(552.4)	(565.1)	(577.8)	(454)	(565.1)	(577.8)	8	92 lbs (42 kg)	1280		
ESR-7-26	26" (660.4 mm)	27-7/32" (691.6 mm)	12-3/8" (314.3 mm)	(517.5)	(603.2)	(615.9)	(628.6)	(504.8)	(615.9)	(628.6)		8	85 lbs (39 kg)		1400
ESR-7-28	28" (711.2 mm)	29-7/32" (742.4 mm)	13-3/8" (339.7 mm)	(568.3)	(654)	(666.7)	(679.4)	(555.6)	(666.7)	(679.4)	8	79 lbs (36 kg)	1500		

() units in mm.