

# FULL EXTENSION SLIDE

STAINLESS  
**304**  
STEEL

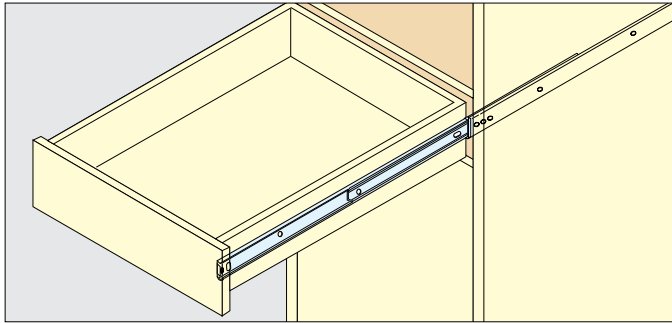
LOAD RATING  
45-60 kg  
99-132 lbs

NO SCREW

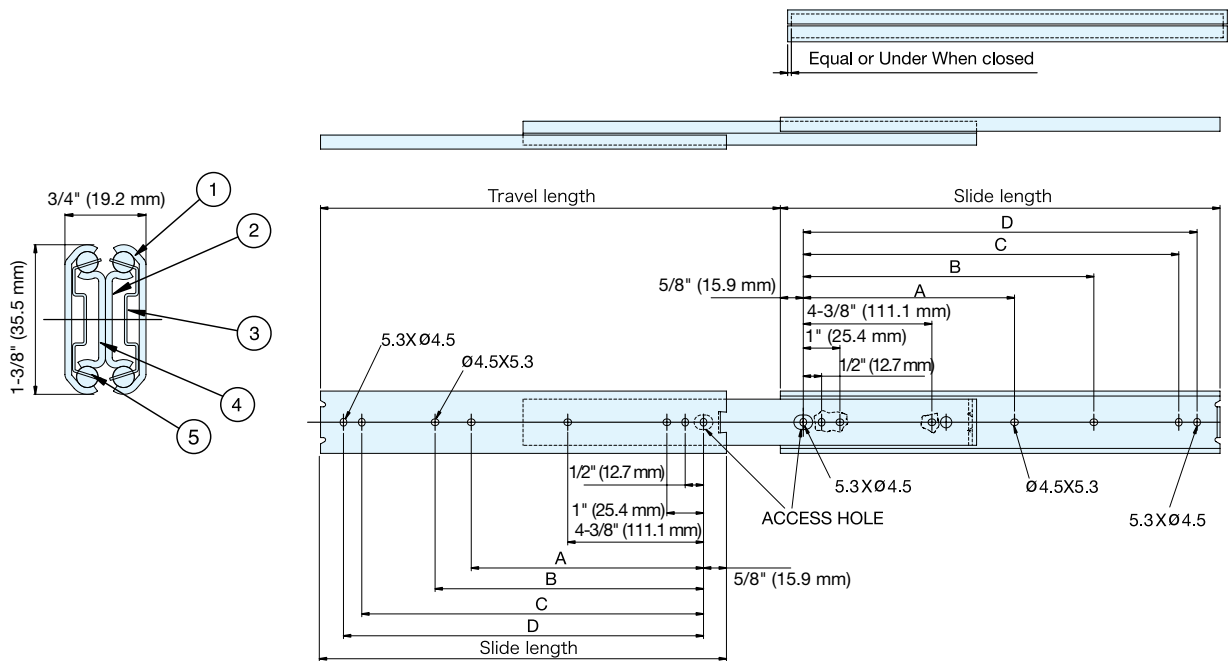
## ESR-6

DRAWER SLIDES

STAINLESS STEEL SLIDES



- Full extension.
- Positive stop.
- Non-handed.
- Sold by each.
- Mount with M4 or #8 Binding, Pan, or Truss head screws.



25.4 mm=1"

No.	Part	Material
①	Outer Rail	304 Stainless Steel
②	Inner Rail	
③	Retainer	
④	Intermediate Member	
⑤	Balls	

Item No.	Slide Length	Travel Length	A	B	C	D	# of Holes Outer Rail	Load Rating	Weight (g)	Box (pcs)
ESR-6-12	12" (304.8 mm)	12-27/32" (326 mm)	-	5-7/8" (149.2 mm)	(260.3)	(273)	7	132 lbs (60 kg)	610	16
ESR-6-14	14" (355.6 mm)	14-27/32" (377 mm)		7-7/8" (200 mm)	(311.1)	(323.8)				
ESR-6-16	16" (406.4 mm)	16-27/32" (428 mm)	8-3/8" (212.7 mm)	9-7/8" (250.8 mm)	(361.9)	(374.6)	8	126 lbs (57 kg)	810	
ESR-6-18	18" (457.2 mm)	18-7/8" (479 mm)		11-7/8" (301.6 mm)	(412.7)	(425.4)		123 lbs (56 kg)	920	
ESR-6-20	20" (508 mm)	20-27/32" (529 mm)	9-3/8" (238.1 mm)	13-7/8" (352.4 mm)	(463.5)	(476.2)	8	117 lbs (53 kg)	980	
ESR-6-22	22" (558.8 mm)	22-27/32" (580 mm)	10-3/8" (263.5 mm)	15-7/8" (403.2 mm)	(514.3)	(527)		112 lbs (51 kg)	1120	
ESR-6-24	24" (609.6 mm)	24-27/32" (631 mm)	11-3/8" (288.9 mm)	17-7/8" (454 mm)	(565.1)	(577.8)	8	108 lbs (49 kg)	1230	
ESR-6-26	26" (660.4 mm)	26-26/32" (682 mm)	12-3/8" (314.3 mm)	19-7/8" (504.8 mm)	(615.9)	(628.6)		104 lbs (47 kg)	1330	
ESR-6-28	28" (711.2 mm)	28-13/16" (732 mm)	13-3/8" (339.7 mm)	21-7/8" (555.6 mm)	(666.7)	(679.4)	8	99 lbs (45 kg)	1440	

( ) units in mm.