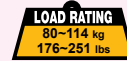


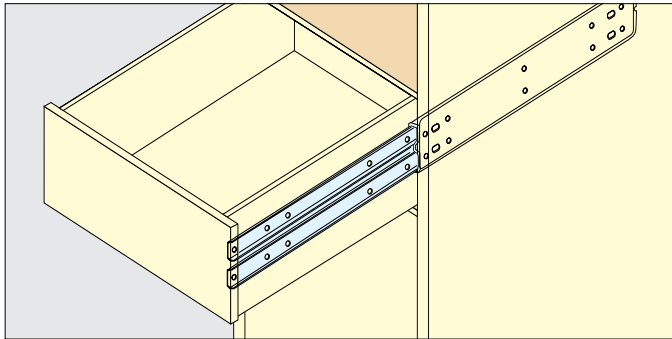
# 3/4 EXTENSION SLIDE



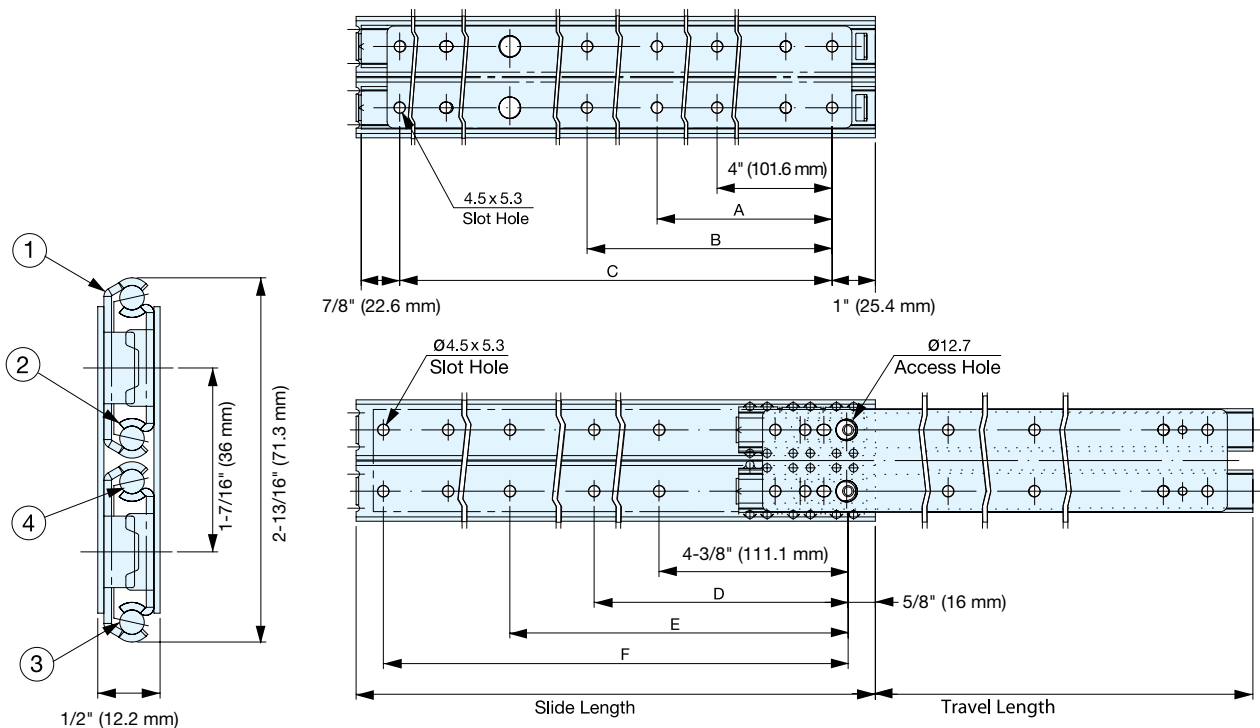
# ESR-5

DRAWER SLIDES

STAINLESS STEEL SLIDES



- 3/4 extension.
- Positive stop.
- Non-handed.
- Heavy duty.
- Sold by each.
- Mount with M4 or #8 Binding, Pan, or Truss head screws.



No.	Part	Material
①	Outer Rail	304 Stainless Steel
②	Inner Rail	
③	Retainer	
④	Balls	

Item No.	Slide Length	Travel Length	A	B	C	D	E	F	# of Holes		Load Rating /pair	Weight (g)	Box (pcs)
									Inner Rail	Outer Rail			
ESR-5-12	12" (305 mm)	8-3/4" (221.8 mm)	-	(152.4)	(254)	-	(149.2)	(273)	8	6	251 lbs (114 kg)	920	12
ESR-5-14	14" (355.8 mm)	10-1/4" (259.9 mm)	-	(203.2)	(304.8)	-	(200)	(323.8)			240 lbs (109 kg)	1090	
ESR-5-16	16" (406.6 mm)	11-3/4" (298 mm)	-	(254)	(355.6)	-	(250.8)	(374.6)			229 lbs (104 kg)	1250	
ESR-5-18	18" (457.4 mm)	13-3/4" (348.8 mm)	8" (203.2 mm)	(304.8)	(406.4)	(212.7)	(301.6)	(425.4)	10	6	224 lbs (102 kg)	1500	
ESR-5-20	20" (508.2 mm)	14-1/4" (361.5 mm)	9" (228.6 mm)	(355.6)	(457.2)	(238.1)	(352.4)	(476.2)			218 lbs (99 kg)	1670	
ESR-5-22	22" (559 mm)	16-3/4" (425 mm)	10" (254 mm)	(406.4)	(508)	(263.5)	(403.2)	(527)			207 lbs (94 kg)	1750	
ESR-5-24	24" (609.8 mm)	17-3/4" (450.4 mm)	11" (279.4 mm)	(457.2)	(558.8)	(288.9)	(454)	(577.8)	10	6	196 lbs (89 kg)	1920	
ESR-5-26	26" (660.6 mm)	18-1/4" (463.1 mm)	12" (304.8 mm)	(508)	(609.6)	(314.3)	(504.8)	(628.6)			189 lbs (86 kg)	2090	
ESR-5-28	28" (711.4 mm)	19-3/4" (501.2 mm)	13" (330.2 mm)	(558.8)	(660.4)	(339.7)	(555.6)	(679.4)			176 lbs (80 kg)	2250	

( ) units in mm.