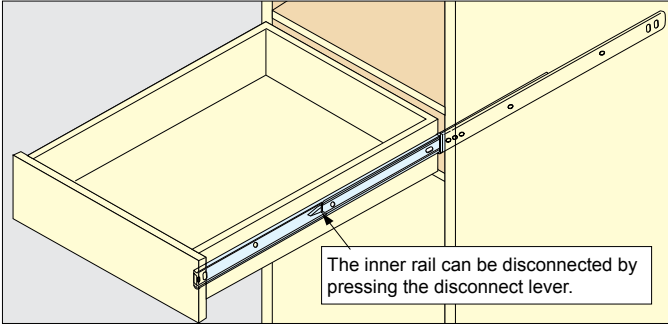


FULL EXTENSION SLIDE



ESR-3813

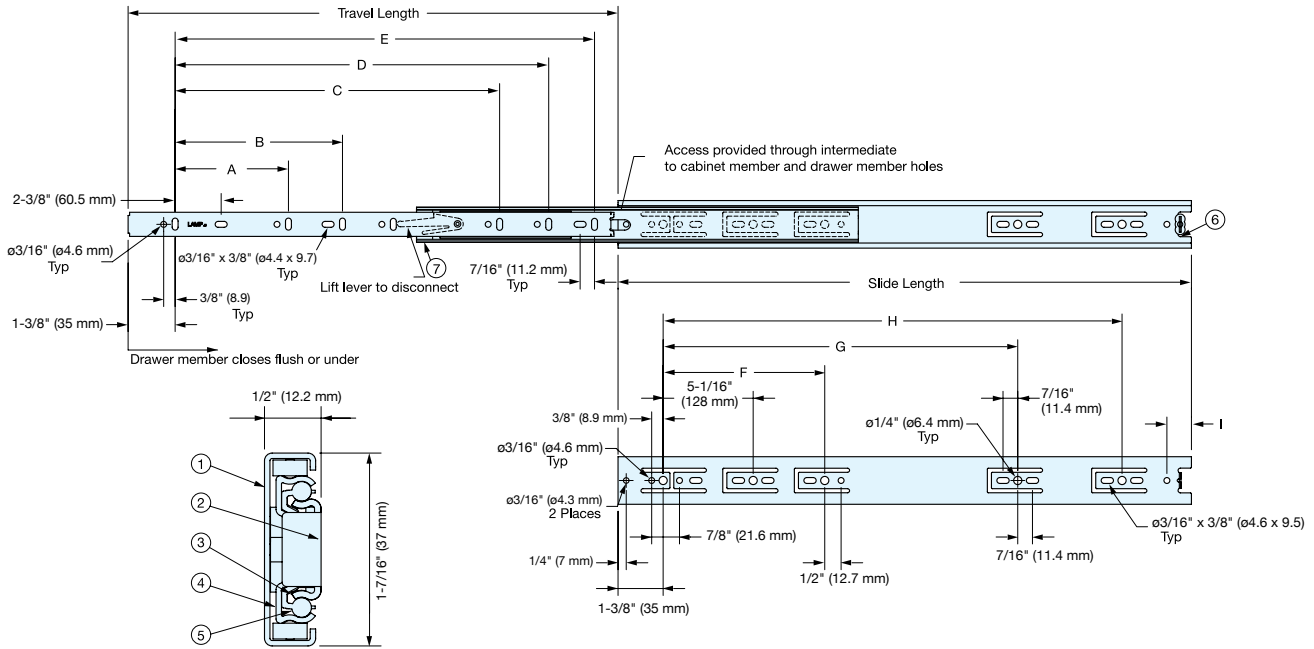
DRAWER SLIDES



- Full extension.
- Front disconnect.
- Positive stop.
- Hold-in detent.
- Non-handed.
- Sold in pairs.
- Mount with M4 or #8, Binding or Pan head screws.



STAINLESS STEEL SLIDES



No.	Part	Material
①	Outer Rail	304 Stainless Steel
②	Inner Rail	
③	Retainer	
④	Intermediate Member	
⑤	Balls	Rubber
⑥	Detent	
⑦	Lift Lever	Plastic

Item No.	Slide Length	Travel Length	A	B	C	D	E	F	G	H	I	Load Rating (pair)	Weight (g)	Box (Pair)	
ESR-3813-8	7-7/8" (200 mm)	7-7/8" (200 mm)	-				(142)	-			-	98 lbs (45 kg)	400	10	
ESR-3813-10	9-27/32" (250 mm)	9-9/16" (243 mm)					(192)					92 lbs (42 kg)	530		
ESR-3813-12	11-13/16" (300 mm)	12" (305 mm)					(242)					88 lbs (40 kg)	637		
ESR-3813-14	13-25/32" (350 mm)	14" (355 mm)					(292)					84 lbs (38 kg)	726		
ESR-3813-16	15-3/4" (400 mm)	16" (406 mm)					(342)	8-13/16" (224)				79 lbs (36 kg)	816		
ESR-3813-18	17-23/32" (450 mm)	18" (457 mm)	5-1/16" (128)				(392)			(320)	3/4" (19.1)		75 lbs (34 kg)		910
ESR-3813-20	19-11/16" (500 mm)	20" (508 mm)					(442)			(352)			73 lbs (33 kg)		1000
ESR-3813-22	21-21/32" (550 mm)	22" (559 mm)					(492)			(416)			68 lbs (31 kg)		1090
ESR-3813-24	23-5/8" (600 mm)	24" (610 mm)					(542)			(492)			64 lbs (29 kg)		1180
					(224)	(416)	-	(542)		13-7/8" (352)		(480)			

() units in mm.