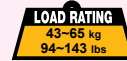


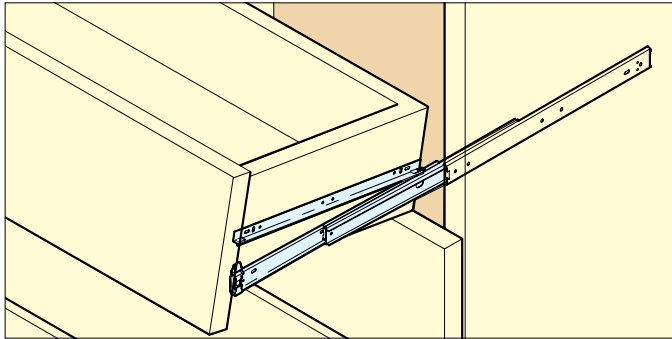
FULL EXTENSION SLIDE



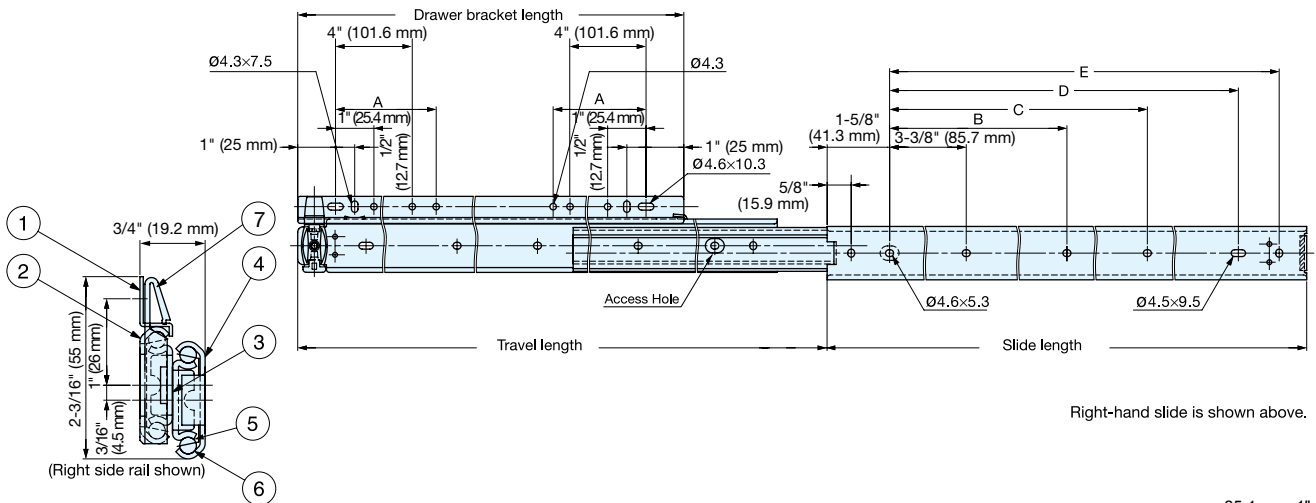
ESR-3

DRAWER SLIDES

STAINLESS STEEL SLIDES



- Handed.
- Full extension.
- Quick disconnect.
- Positive stop.
- Sold in pairs.
- Mount with M4 or #8 Binding, Pan, or Truss head screws.



25.4 mm=1"

No.	Part	Material
①	Drawer Bracket	304 Stainless Steel
②	Inner Rail	
③	Intermediate Member	
④	Outer Rail	
⑤	Retainer	
⑥	Balls	
⑦	Disconnect Lever	Plastic

Item No.	Slide Length	Travel Length	Drawer Bracket Length	A	B	C	D	E	# of Holes Outer Rail	Load Rating /pair	Weight (g)	Box (Pair)	
ESR-3-12	12" (304.8 mm)	13-23/32" (348.4 mm)	10-3/4" (273 mm)	-	-	(123.1)	(218.3)	(245.3)	6	143 lbs (65 kg)	1400	6	
ESR-3-14	14" (355.6 mm)	15-23/32" (399.2 mm)	10-3/4" (273 mm)			(173.9)	(269.1)	(296.1)					
ESR-3-16	16" (406.4 mm)	17-23/32" (450 mm)	14-3/4" (375 mm)			(224.7)	(319.9)	(346.9)					
ESR-3-18	18" (457.2 mm)	19-23/32" (500.8 mm)	14-3/4" (375 mm)			(187.3)	(275.5)	(370.7)		(397.7)	123 lbs (56 kg)		2100
ESR-3-20	20" (508 mm)	21-23/32" (551.6 mm)	14-3/4" (375 mm)			(212.7)	(326.3)	(421.5)		(448.5)	114 lbs (52 kg)		2300
ESR-3-22	22" (558.8 mm)	23-23/32" (602.4 mm)	20-3/4" (527 mm)			(238.1)	(377.1)	(472.3)		(499.3)	114 lbs (52 kg)		2700
ESR-3-24	24" (609.6 mm)	25-23/32" (653.2 mm)	20-3/4" (527 mm)			(263.5)	(427.9)	(523.1)		(550.1)	105 lbs (48 kg)		3000
ESR-3-26	26" (660.4 mm)	27-23/32" (704 mm)	22-21/32" (575.3 mm)			(288.9)	(478.7)	(573.9)		(600.9)	94 lbs (43 kg)		3100
ESR-3-28	28" (711.2 mm)	29-23/32" (754.8 mm)	22-21/32" (575.3 mm)	(314.3)	(529.5)	(624.7)	(651.7)	94 lbs (43 kg)	3500				

() units in mm.