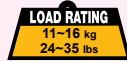


3/4 EXTENSION SLIDE (Low Profile)

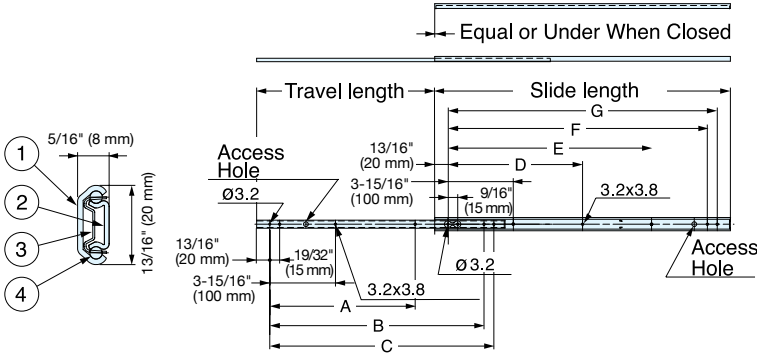


ESR-2021

DRAWER SLIDES

STAINLESS STEEL SLIDES

- 3/4 extension.
- Positive stop.
- Non-handed.
- Requires #4 or M3 pan head screw.
- Sold by each.

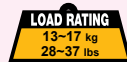


| No. | Part Name | Material | Finish/Color |
|-----|------------|---------------------|--------------|
| ① | Outer Rail | 304 Stainless Steel | Plain |
| ② | Inner Rail | | |
| ③ | Retainer | | |
| ④ | Balls | | |

| Item No. | Slide Length | Travel Length | A | B | C | D | E | F | G | Load Rating /pair | Box (pcs) |
|--------------|--------------------|-------------------|--------------------|-------------------|-------|-------|-------|-------|-------|-------------------|-----------|
| ESR-2021-200 | 7-7/8" (200 mm) | 5-1/4" (134 mm) | - | 5-11/16" (145 mm) | (160) | - | - | (145) | (160) | 28 lbs (13 kg) | 100 |
| ESR-2021-250 | 9-13/16" (250 mm) | 7-1/4" (184 mm) | 5-15/16" (150 mm) | 7-11/16" (195 mm) | (210) | - | - | (195) | (210) | 33 lbs (15 kg) | |
| ESR-2021-300 | 11-13/16" (300 mm) | 8-13/16" (224 mm) | 7-1/2" (190 mm) | 9-5/8" (245 mm) | (260) | - | (160) | (245) | (260) | 35 lbs (16 kg) | |
| ESR-2021-350 | 13-3/4" (350 mm) | 9-5/8" (244 mm) | 8-7/8" (225 mm) | 11-5/8" (295 mm) | (310) | - | (210) | (295) | (310) | 33 lbs (15 kg) | |
| ESR-2021-400 | 15-3/4" (400 mm) | 11-9/16" (294 mm) | 10-7/16" (265 mm) | 13-9/16" (345 mm) | (360) | - | (260) | (345) | (360) | 28 lbs (13 kg) | |
| ESR-2021-450 | 17-3/4" (450 mm) | 13-1/8" (334 mm) | 11-13/16" (300 mm) | 15-9/16" (395 mm) | (410) | (205) | (310) | (395) | (410) | 24 lbs (11 kg) | |
| ESR-2021-500 | 19-11/16" (500 mm) | 15-1/8" (384 mm) | 13-1/4" (337 mm) | 17-1/2" (445 mm) | (460) | (230) | (360) | (445) | (460) | | |

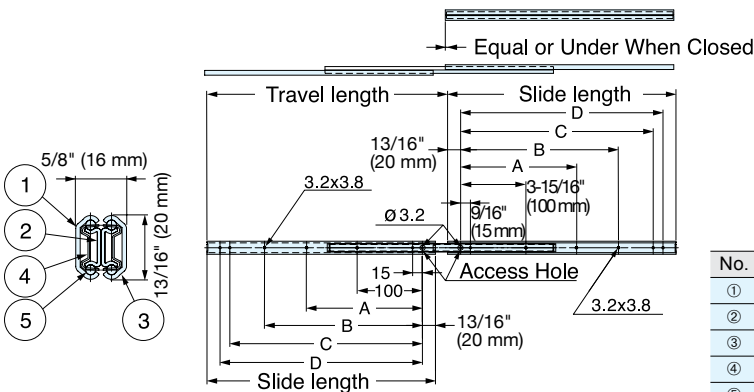
() units in mm.

FULL EXTENSION SLIDE



ESR-2031

- Full extension.
- Positive stop.
- Non-handed.
- Requires #4 or M3 pan head screw.
- Sold by each.



| No. | Part Name | Material | Finish/Color |
|-----|---------------------|---------------------|--------------|
| ① | Outer Rail | 304 Stainless Steel | Plain |
| ② | Intermediate Member | | |
| ③ | Inner Rail | | |
| ④ | Retainer | | |
| ⑤ | Balls | | - |

| Item No. | Slide Length | Travel Length | A | B | C | D | Load Rating /pair | Weight (g/pair) | Box (pcs) |
|--------------|--------------------|--------------------|------------------|-------------------|-------|-------|-------------------|-----------------|-----------|
| ESR-2031-200 | 7-7/8" (200 mm) | 9" (229 mm) | - | - | (145) | (160) | 37 lbs (17 kg) | 400 | 96 |
| ESR-2031-250 | 9-13/16" (250 mm) | 10-9/16" (269 mm) | - | - | (195) | (210) | | 500 | |
| ESR-2031-300 | 11-13/16" (300 mm) | 12-15/16" (329 mm) | - | 6-5/16" (160 mm) | (245) | (260) | | 600 | 48 |
| ESR-2031-350 | 13-3/4" (350 mm) | 14-1/2" (369 mm) | - | 8-1/4" (210 mm) | (295) | (310) | | 700 | |
| ESR-2031-400 | 15-3/4" (400 mm) | 16-7/8" (429 mm) | - | 10-1/4" (260 mm) | (345) | (360) | | 800 | |
| ESR-2031-450 | 17-3/4" (450 mm) | 18-7/16" (469 mm) | 8-1/16" (205 mm) | 12-3/16" (310 mm) | (395) | (410) | | 35 lbs (16 kg) | |
| ESR-2031-500 | 19-11/16" (500 mm) | 20-13/16" (529 mm) | 9-1/16" (230 mm) | 14-3/16" (360 mm) | (445) | (460) | 28 lbs (13 kg) | 1000 | |

() units in mm.