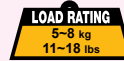


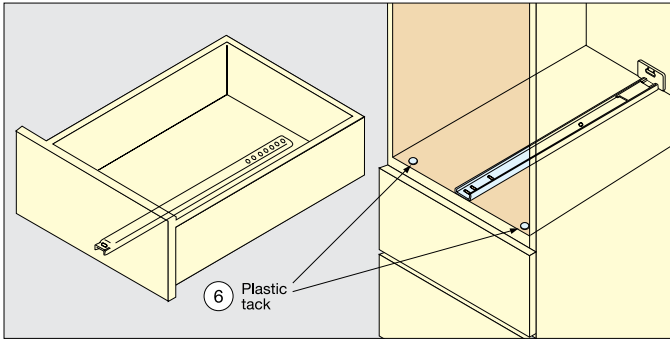
# 3/4 EXTENSION UNDERMOUNT SLIDE



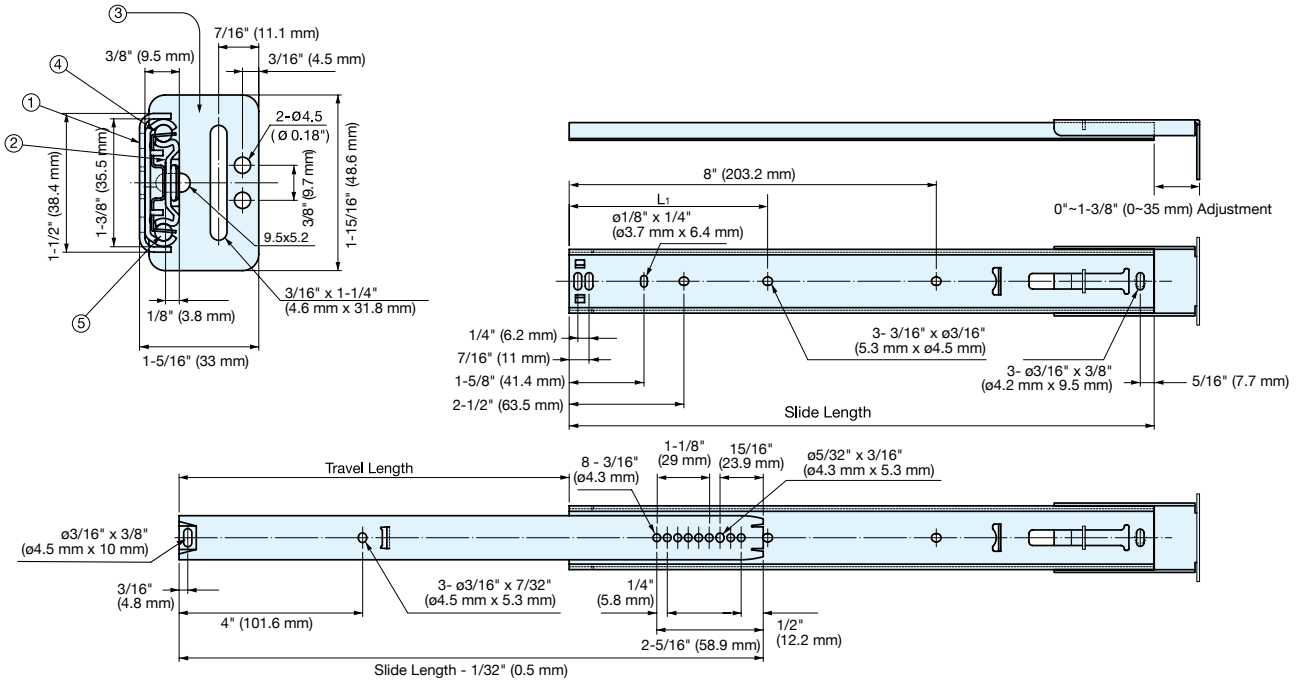
# ESR-2

DRAWER SLIDES

STAINLESS STEEL SLIDES



- Under carriage mounting with bracket.
- 3/4 extension.
- Front disconnect.
- Friction brake stop.
- Sold by each.
- Mount with M4 or #8 Binding, Pan, or Truss head screws.
- Two plastic tacks supplied per slide.



25.4 mm=1"

No.	Part	Material
①	Outer Rail	304 Stainless Steel
②	Inner Rail	
③	Bracket	
④	Retainer	
⑤	Balls	
⑥	Plastic Tack	Polyamide

Item No.	Slide Length	Travel Length	L <sub>1</sub>	# of Holes		Load Rating /pc	Weight (g)	Box (pcs)
				Inner Rail	Outer Rail			
ESR-2-12	12-3/4" (323.8 mm)	8-1/2" (215.9 mm)	4-5/16" (109.9 mm)	11	7	18 lbs (8.0 kg)	340	20
ESR-2-14	14-3/4" (374.6 mm)	10-1/2" (266.7 mm)	6-5/16" (160.7 mm)			17 lbs (7.5 kg)	400	
ESR-2-16	16-3/4" (425.4 mm)	12" (304.8 mm)	-		6	15 lbs (7.0 kg)	450	
ESR-2-18	18-3/4" (476.2 mm)	12-1/2" (317.5 mm)	10-5/16" (262.3 mm)			14 lbs (6.5 kg)	490	
ESR-2-20	20-3/4" (527 mm)	14-1/2" (368.3 mm)	12-5/16" (313.1 mm)		7	13 lbs (6.0 kg)	530	
ESR-2-22	22-3/4" (577.8 mm)	16-1/2" (419.1 mm)	14-5/16" (363.9 mm)			12 lbs (5.5 kg)	630	
ESR-2-24	24-3/4" (628.6 mm)	17-1/2" (444.5 mm)	16-5/16" (414.7 mm)			12 lbs (5.5 kg)	690	
ESR-2-26	26-3/4" (679.4 mm)	19-1/2" (495.3 mm)	18-5/16" (465.5 mm)			11 lbs (5.0 kg)	720	

( ) units in mm.