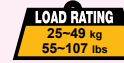


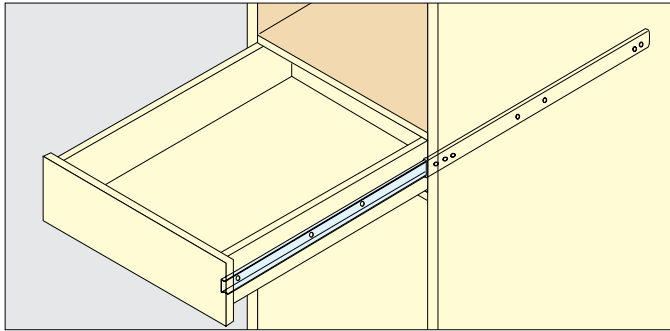
3/4 EXTENSION SLIDE



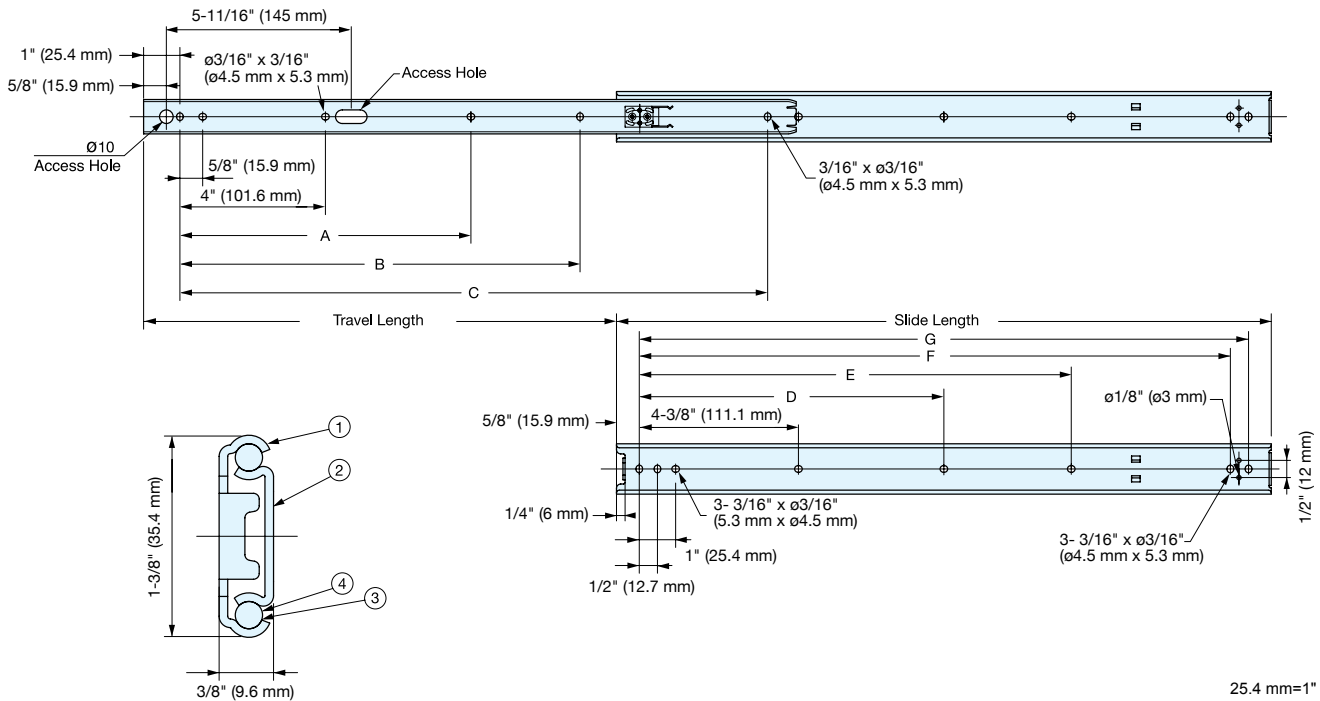
ESR-13

DRAWER SLIDES

STAINLESS STEEL SLIDES



- 3/4 extension.
- Positive stop.
- Positive catch.
- Non-handed.
- Sold by each.
- Mount with M4 or #8 Binding, Pan, or Truss head screws.



No.	Part	Material
①	Outer Rail	304 Stainless Steel
②	Inner Rail	
③	Retainer	
④	Balls	

Item No.	Slide Length	Travel Length	A	B	C	D	E	F	G	# of Holes		Load Rating /pair	Weight (g)	Box (pcs)
										Inner Rail	Outer Rail			
ESR-13-12	12" (304.8 mm)	9" (228.6 mm)	-	(177.8)	(258)	-	(149.2)	(260.3)	(273)	4	7	107 lbs (49 kg)	330	30
ESR-13-14	14" (355.6 mm)	11" (279.4 mm)	-	(228.6)	(308.8)	-	(200)	(311.1)	(323.8)	4	7	103 lbs (47 kg)	380	
ESR-13-16	16" (406.4 mm)	12" (304.8 mm)	-	(254)	(359.6)	-	(250.8)	(361.9)	(374.6)	4	7	94 lbs (43 kg)	420	
ESR-13-18	18" (457.2 mm)	13" (330.2 mm)	8" (203.2 mm)	(279.4)	(410.4)	(212.7)	(301.6)	(412.7)	(425.4)	5	8	90 lbs (41 kg)	490	
ESR-13-20	20" (508 mm)	15" (381 mm)	9" (228.6 mm)	(330.2)	(461.2)	(238.1)	(352.4)	(463.5)	(476.2)			81 lbs (37 kg)	540	
ESR-13-22	22" (558.8 mm)	16" (406.4 mm)	10" (254 mm)	(355.6)	(512)	(263.5)	(403.2)	(514.3)	(527)			74 lbs (34 kg)	590	
ESR-13-24	24" (609.6 mm)	17" (432.8 mm)	10" (254 mm)	(381)	(562.8)	(288.9)	(454)	(565.1)	(577.8)			66 lbs (30 kg)	630	
ESR-13-26	26" (660.4 mm)	19" (482.6 mm)	10" (254 mm)	(431.8)	(613.6)	(314.3)	(504.8)	(615.9)	(628.6)			59 lbs (27 kg)	680	
ESR-13-28	28" (711.2 mm)	20" (508 mm)	11" (279.4 mm)	(457.2)	(664.4)	(339.7)	(555.6)	(666.7)	(679.4)			55 lbs (25 kg)	750	

() units in mm.