

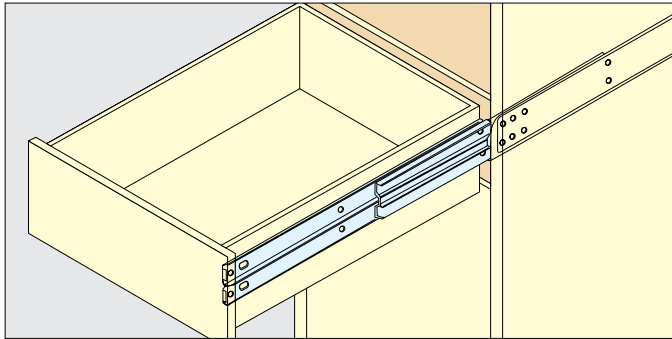
FULL EXTENSION SLIDE



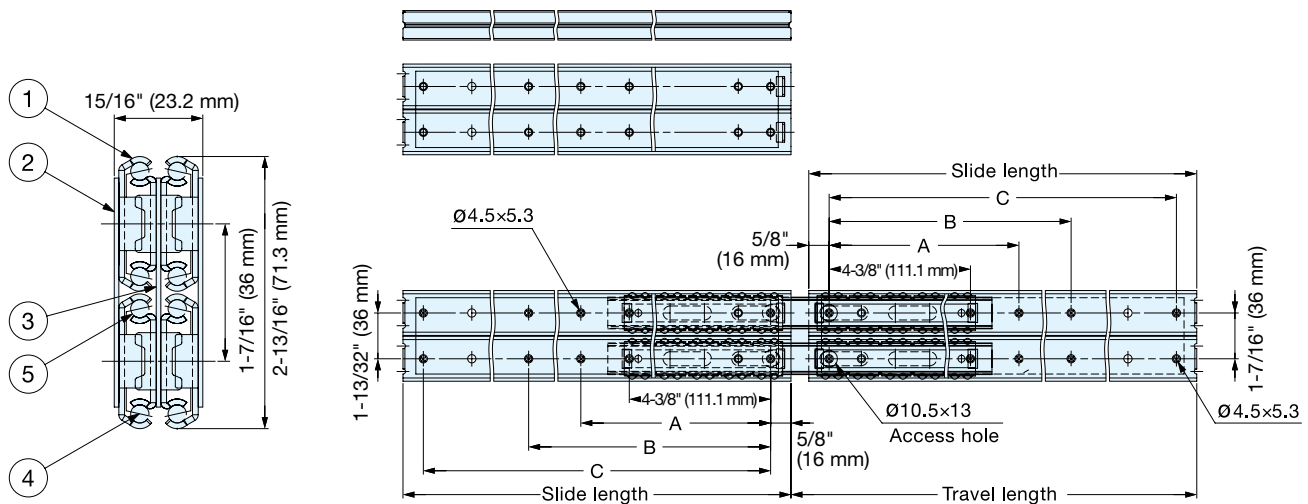
ESR-10

DRAWER SLIDES

STAINLESS STEEL SLIDES



- Full extension.
- Positive stop.
- Non-handed.
- Heavy duty.
- Sold by each.
- Mount with M4 or #8 Binding, Pan, or Truss head screws.



25.4 mm=1"

No.	Part	Material
①	Outer Rail	304 Stainless Steel
②	Tie Plate	
③	Intermediate Member	
④	Retainer	
⑤	Balls	

Item No.	Slide Length	Travel Length	A	B	C	# of Holes	Load Rating /pair	Weight (g)	Box (pcs)
ESR-10-12	12" (305 mm)	12-9/16" (319 mm)	-	5-7/8" (149.2 mm)	10-3/4" (273 mm)	16	599 lbs (272 kg)	1670	8
ESR-10-14	14" (355.8 mm)	14-9/16" (369.8 mm)		7-7/8" (200 mm)	12-3/4" (323.8 mm)				
ESR-10-16	16" (406.6 mm)	16-9/16" (420.6 mm)		9-7/8" (250.8 mm)	14-3/4" (374.6 mm)				
ESR-10-18	18" (457.4 mm)	18-9/16" (471.4 mm)	8-3/8" (212.7 mm)	11-7/8" (301.6 mm)	16-3/4" (425.4 mm)	20	550 lbs (250 kg)	2500	6
ESR-10-20	20" (508.2 mm)	20-9/16" (522.2 mm)	9-3/8" (238.1 mm)	13-7/8" (352.4 mm)	18-3/4" (476.2 mm)		530 lbs (241 kg)	2840	
ESR-10-22	22" (559 mm)	22-9/16" (573 mm)	10-3/8" (263.5 mm)	15-7/8" (403.2 mm)	20-3/4" (527 mm)		504 lbs (229 kg)	3250	
ESR-10-24	24" (609.8 mm)	24-9/16" (623.8 mm)	11-3/8" (288.9 mm)	17-7/8" (454 mm)	22-3/4" (577.8 mm)		475 lbs (216 kg)	3500	
ESR-10-26	26" (660.6 mm)	26-9/16" (674.6 mm)	12-3/8" (314.3 mm)	19-7/8" (504.8 mm)	24-3/4" (628.6 mm)		440 lbs (200 kg)	3840	
ESR-10-28	28" (711.4 mm)	28-9/16" (725.4 mm)	13-3/8" (339.7 mm)	21-7/8" (555.6 mm)	26-3/4" (679.4 mm)		400 lbs (182 kg)	4170	