

HANDLE



ES-Z404-192



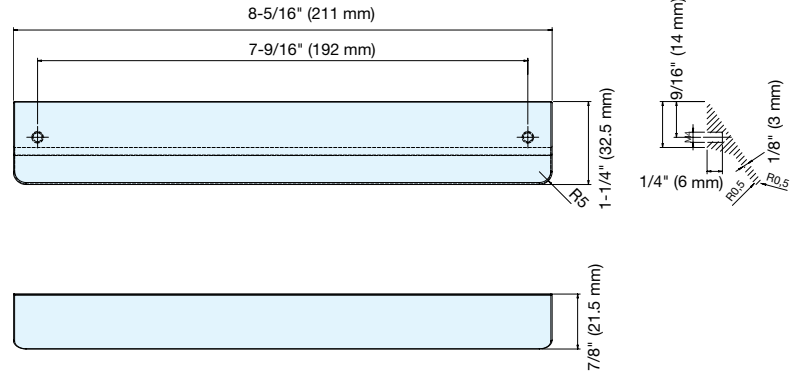
- Contemporary, bold style.
- Smooth to the touch.

Dark Bronze

Matte Antique Brass

White Bronze

Matte Antique Copper



Item No.	L	C	H	Weight (g)	Box (pcs)	Carton (pcs)	Material	Finish
ES-Z404-192/WB	8-5/16" (211 mm)	7-9/16" (192 mm)	1-1/4" (32.5 mm)	250	15	200	Zinc Alloy	White Bronze (WB),
ES-Z404-192/DB								Dark Bronze (DB),
ES-Z404-192/AB								Matte Antique Brass (AB),
ES-Z404-192/AC								Matte Antique Copper (AC)

HANDLE



ES-Z403-128



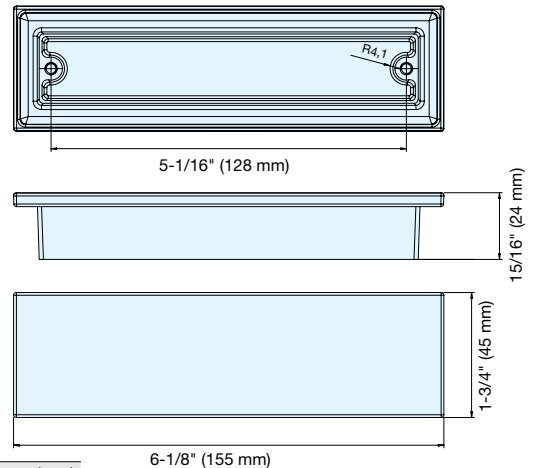
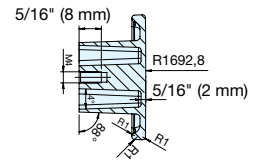
- Bold, rectangular shape with an antique finish.

Dark Bronze

White Bronze

Matte Antique Brass

Matte Antique Copper



Item No.	L	C	H	W	Weight (g)	Box (pcs)	Carton (pcs)	Material	Finish
ES-Z403-128/WB	6-1/8" (155 mm)	5-1/16" (128 mm)	15/16" (24 mm)	1-3/4" (45 mm)	207	10	200	Zinc Alloy	White Bronze (WB),
ES-Z403-128/DB									Dark Bronze (DB),
ES-Z403-128/AB									Matte Antique Brass (AB),
ES-Z403-128/AC									Matte Antique Copper (AC)