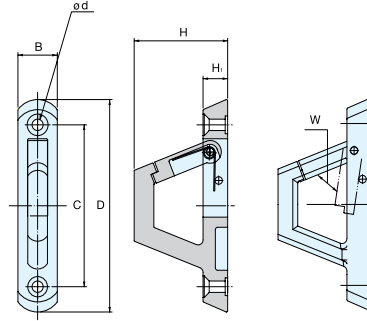


# LATCH HOOK



# EN-K



• Keeps items hooked, ideal for vibration or shock applications.

Material	Finish
316 Stainless Steel	Polished

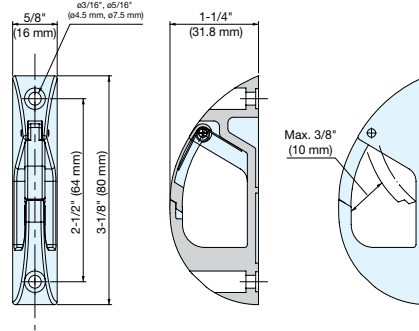
Item No.	D	C	B	H	H <sub>1</sub>	d	W	Load Capacity		Weight (g)	Box (pcs)	Carton (pcs)
								Hook	Arm			
EN-K 84	3-5/16" (84)	2-1/2" (64)	5/8" (16)	1-1/2" (38)	3/8" (10)	3/16", 5/16" (4.5, 8.5)	Max. 3/8" (10)	44 lbs (20)	22 lbs (10 kg)	92	10	120
EN-K120	4-3/4" (120)	3-3/4" (96)	7/8" (22)	2-1/8" (54)	1/2" (12)	3/16", 7/16" (5.4, 10.5)	Max. 2-3/8" (20)	132 lbs (60)	22 lbs (10 kg)	280	10	60

(Units in mm)

# LATCH HOOK



# EN-R80



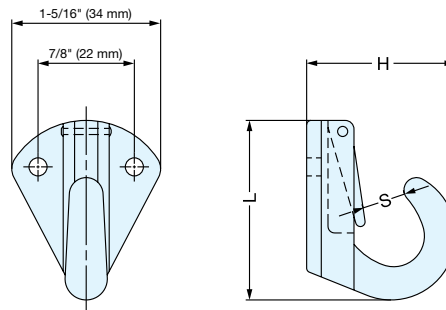
• Keeps items hooked, ideal for vibration or shock applications.

Item No.	Load Capacity		Weight (g)	Box (pcs)	Carton (pcs)	Material	Finish
	Hook	Arm					
EN-R80	44 lbs (20 kg)	22 lbs (10 kg)	85	10	120	316 Stainless Steel	Polished

# LATCH HOOK



# WH



• Keep items hooked, ideal for vibration or shock applications.

Item No.	L	H	S	Load Capacity	Weight (g)	Box (pcs)	Carton (pcs)	Material	Finish
WH-1	1-1/2" (38)	1" (25)	1/4" (7)	33 lbs (15 kg)	40	20	200	304 Stainless Steel	Plain
WH-2	1-5/8" (41)	1-5/16" (34)	3/8" (10)		55				

(Units in mm)