

FOLDING BRACKET



EB

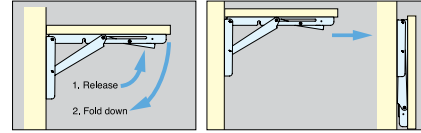


Stainless Steel
NSF Certified

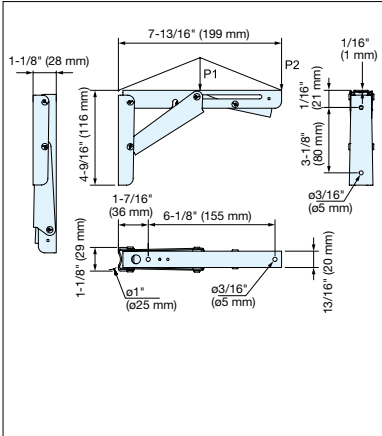


Black

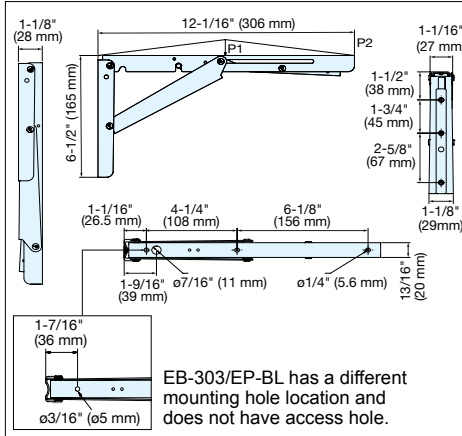
- Automatically locks when flap is in opened position.
- Press lever to release the lock.
- Bracket can be used without the need for hinges.
- Available in 3 different sizes.
- Damper unit EBD available for use with all EB series brackets (sold separately).



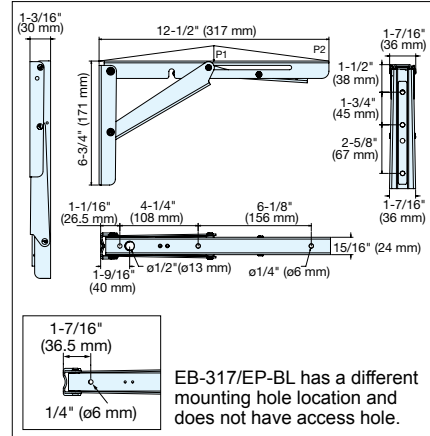
EB-200/EP



EB-303/EP



EB-317/EP



*1 Load capacity is per each at location P1 + P2, located in drawings.
*2 Load capacity multiplies per each bracket installed.

Item No.	Finish	Load Capacity P1	Load Capacity P2	Weight (g)	Carton (pcs)
EB-200/EP*	Stainless	385 lbs (175 kg)	198 lbs (90 kg)	330	20
EB-200/EP-BL	Black	385 lbs (175 kg)	198 lbs (90 kg)	330	20
EB-303/EP*	Stainless	330 lbs (150 kg)	165 lbs (75 kg)	515	20
EB-303/EP-BL	Black	330 lbs (150 kg)	165 lbs (75 kg)	515	20
EB-317/EP*	Stainless	440 lbs (200 kg)	220 lbs (100 kg)	750	20
EB-317/EP-BL	Black	440 lbs (200 kg)	220 lbs (100 kg)	750	20

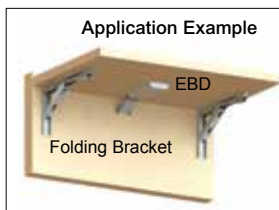
Part Name	Material
Main Body	304 Stainless Steel, Black (BL)
Plate Spring	
Rivet	

*NSF Certified.

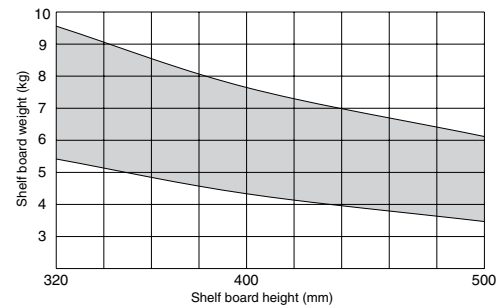
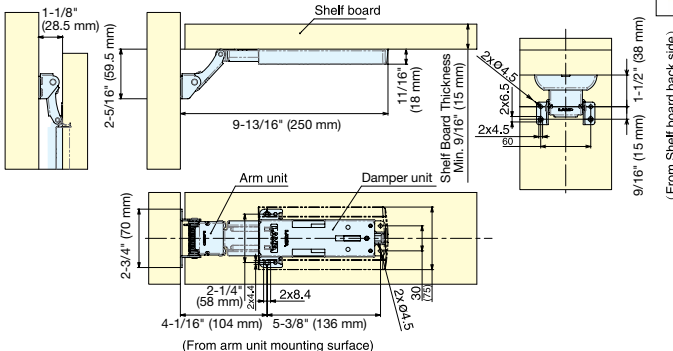
DAMPER FOR EB FOLDING BRACKET



EBD



- Designed to be used with folding brackets. (EB Series-sold separately)
- Lapcon technology provides soft-close movement downward.
- Easy surface-mount installation.
- Ideal for counter flaps at bars, restaurants and receptions.



Item No.	Torque	Min. Panel Thickness	Weight (g)	Box (pcs)	Carton (pcs)	Material	Finish/Color
EBD	75.3~132.8 lbs-in (86.7~153 kg-cm)	9/16" (15 mm)	400	1	20	ABS/POM/Steel	Gray/Zinc/Chrome