

LEVER RELEASE for EB Folding Bracket

SHELF & SUPPORT HARDWARE

LEVER RELEASE FOR EB SERIES FOLDING BRACKETS



- Easy operation with a slide and push mechanism for locking and lever release.
- Lever can be used with either EB-303/EP, EB-303/EP-D, EB-200/EP or EB-317/EP.
- Use to unlock multiple brackets with one-hand operation while maintaining bracket locking feature.
- Connecting bar can be cut to sizes.
- Available for two or three brackets configuration.
- Corrosive resistant aluminum material allows for outdoor use.
- Simple installation, easier support for wide shelves.
- Ideal solution to save space in confined areas.



Side Levers

Connecting Lever
For EB-2000-3 only

Safety Lock Screw

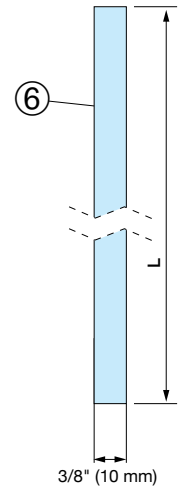
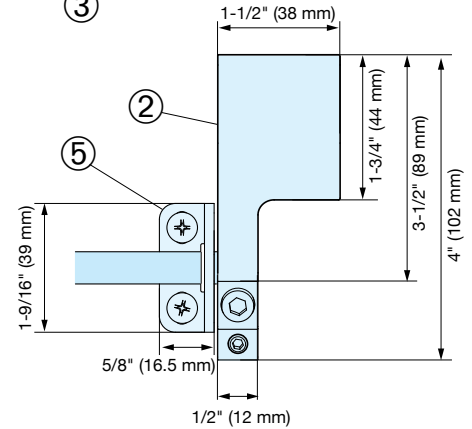
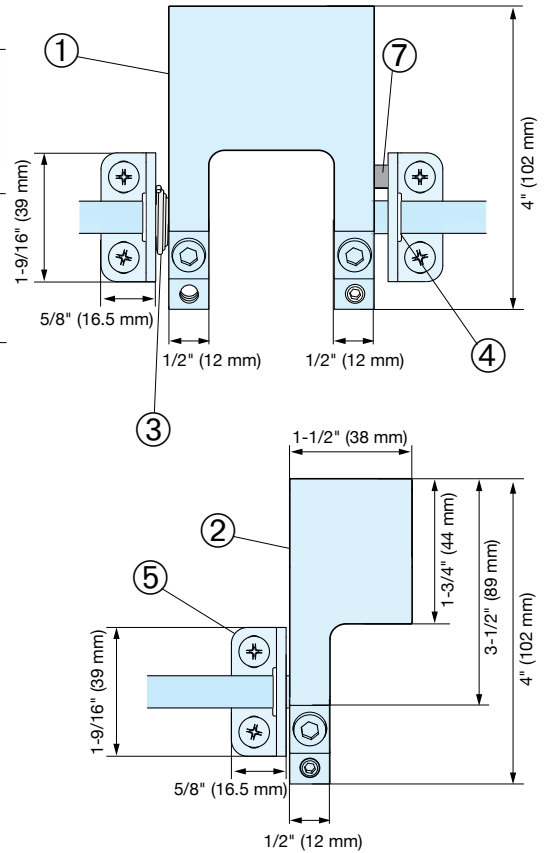
Spring

Holding Bracket

Connecting Rod



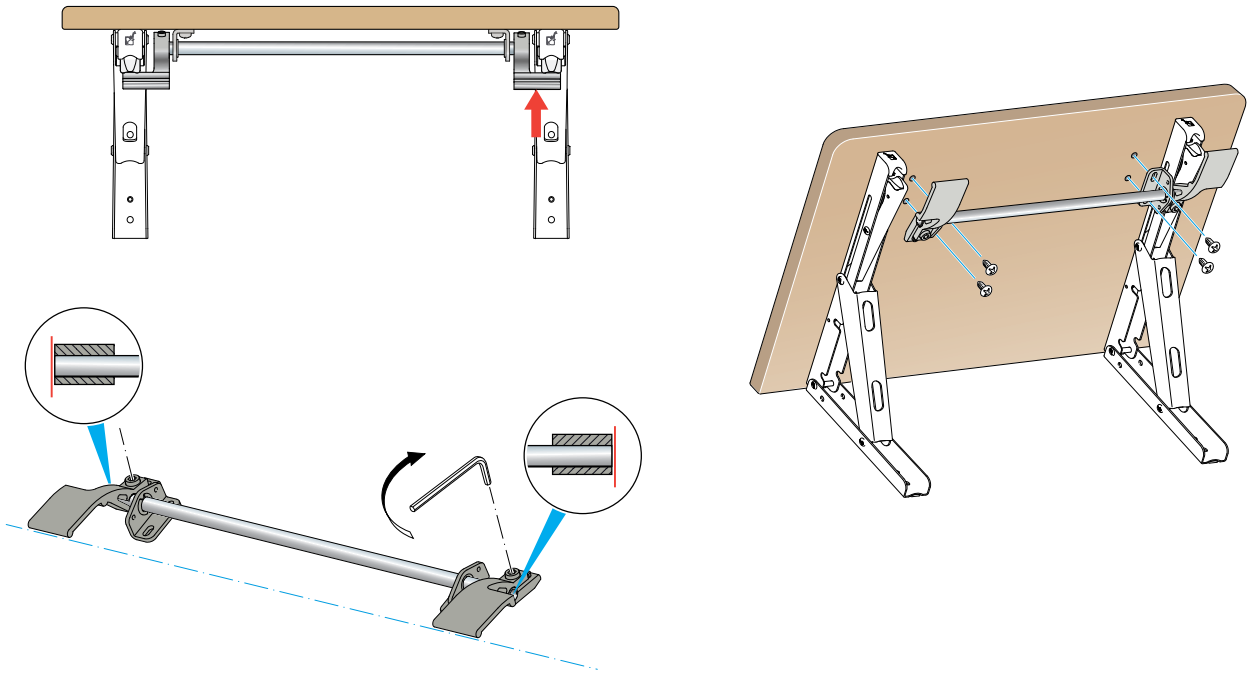
No.	Part Name	Material	Finish
①	Connecting Lever	Aluminum	Anodized Aluminum
②	Side Lever		
③	Spring	Stainless Steel	Plain
④	Washer	Plastic	-
⑤	Holding Bracket	Aluminum	Anodized Aluminum
⑥	Connecting Rod		
⑦	Safety Lock Screw	Stainless Steel	Plain



LEVER RELEASE for EB Folding Bracket



EB-1000-2/1500-2

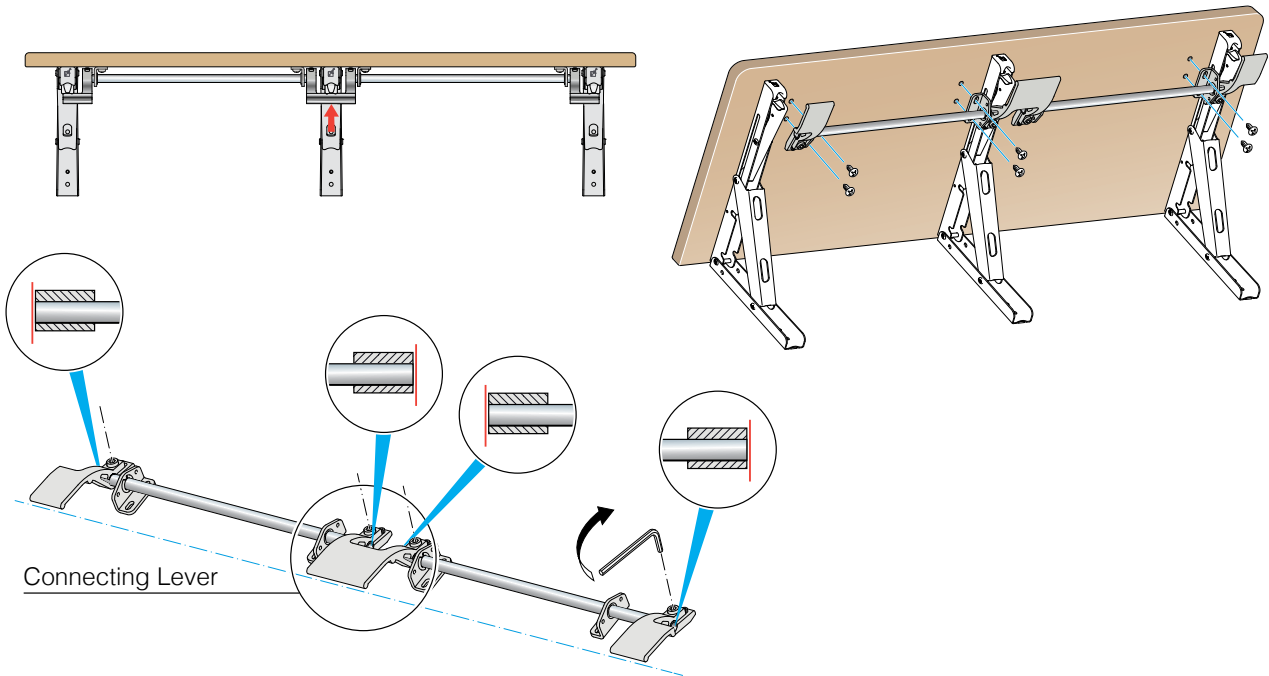


Item No.	Rod Qty	Rod Length (L)	Side Lever Qty	Safety Lock Qty	Holding Bracket Qty	Spring Qty
EB-1000-2	1	39-3/8" (1000 mm)	2	1	3	1
EB-1500-2	1	59-1/16" (1500 mm)	2	1	3	1

LEVER RELEASE for EB Folding Bracket



EB-2000-3



Item No.	Rod Qty	Rod Length (L)	Side Lever Qty	Connecting Lever Qty	Safety Lock Qty	Holding Bracket Qty	Spring Qty
EB-2000-3	2	39-3/8" (1000 mm) each	2	1	1	6	1