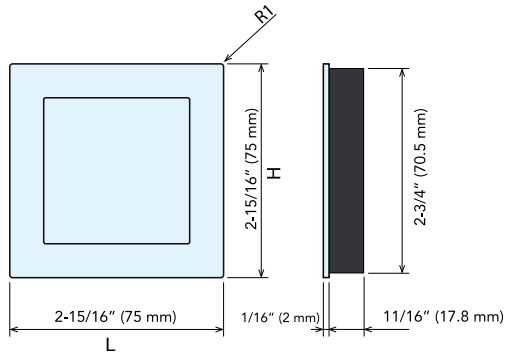
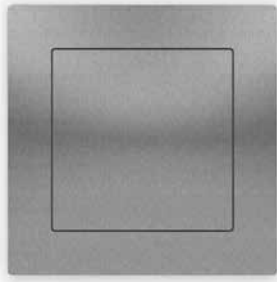


# RECESSED PULL

STAINLESS  
304  
STEEL

## DSI-4501



- Modern, unobtrusive design.
- 1/16" (2mm) projection, ideal for furniture or pocket doors.



HANDLES

SLIDING DOOR HANDLES

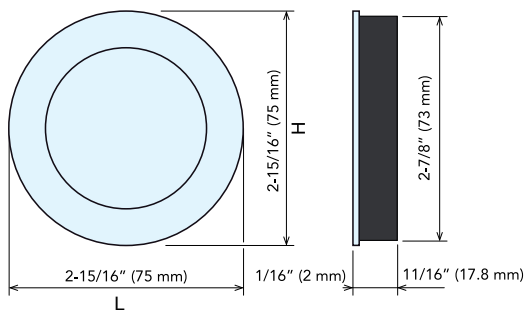
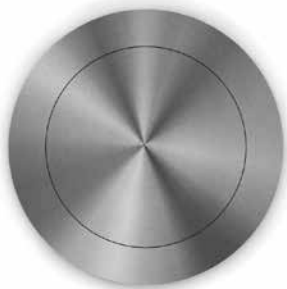
Item No.	L	H	D	Weight (g)	Box (pcs)	Carton (pcs)
DSI-4501-75	2-15/16" (75 mm)	2-15/16" (75 mm)	11/16" (17.8 mm)	141	10	40

Part Name	Material	Finish
Faceplate, Ring	304 Stainless Steel	Satin
Cup	Plastic	Black
Spring	Steel	-

# RECESSED PULL

STAINLESS  
304  
STEEL

## DSI-4502



- Modern, unobtrusive design.
- 1/16" (2mm) projection, ideal for furniture or pocket doors.



Item No.	L	H	D	Weight (g)	Box (pcs)	Carton (pcs)
DSI-4502-75	2-15/16" (75 mm)	2-15/16" (75 mm)	11/16" (17.8 mm)	122	10	40

Part Name	Material	Finish
Faceplate, Ring	304 Stainless Steel	Satin
Cup	Plastic	Black
Spring	Steel	-