

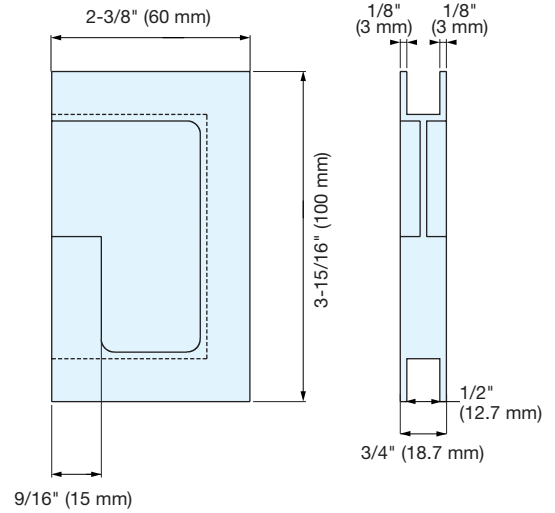
SLIDING DOOR HANDLE



DSI-4252C



- Contemporary stainless steel handle for 1/2" glass sliding doors.
- Doors can be operated from both sides of the door and the leading edge.
- Great for pocket doors.
- Installation requires an adhesive like a 2-part epoxy (not supplied).



Item No.	Weight (g)	Box (pcs)	Carton (pcs)	Material	Finish
DSI-4252C-12	317	1	10	304 Stainless Steel	Satin

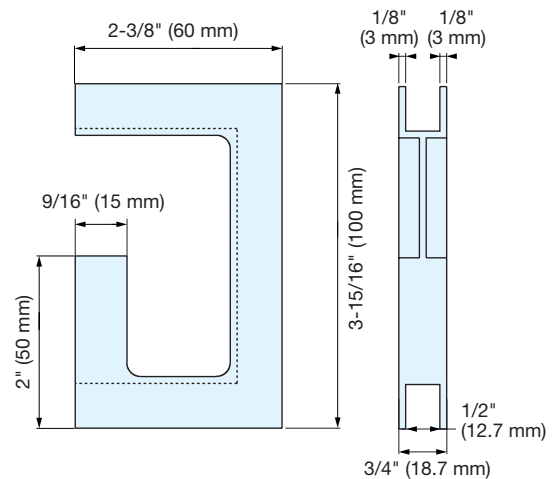
SLIDING DOOR HANDLE



DSI-4252



- Contemporary stainless steel handle for 1/2" glass sliding doors.
- Doors can be be operated from both sides of the door and the leading edge.
- Great for pocket doors.
- Installation requires an adhesive like a 2-part epoxy (not supplied).



Item No.	Weight (g)	Box (pcs)	Carton (pcs)	Material	Finish
DSI-4252-12	272	1	10	304 Stainless Steel	Satin