

SHEET METAL CAM LOCK

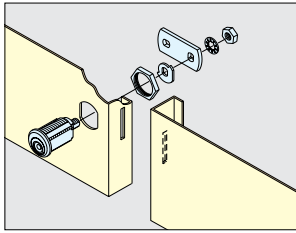


DCY-34

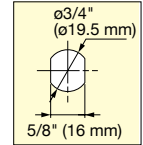
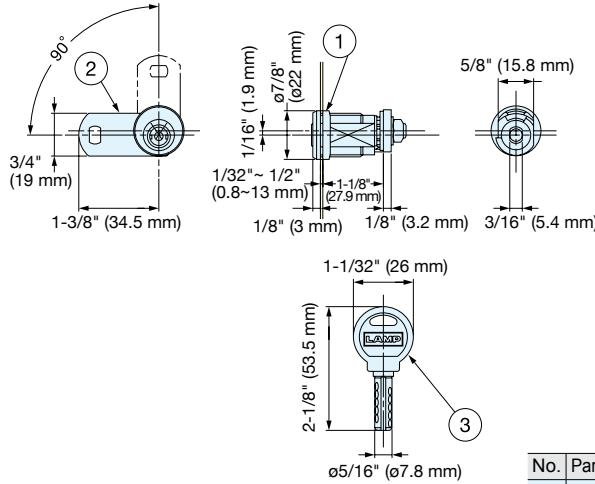
LOCKS



- High security with special key design.
- Reversible key.
- 90 degree cam rotation
- Key is removable in locked position only. (Key works as a knob in unlocked position.)
- Universal direction - Cam direction changeable.
- 2,000 key changes available; Please specify keyed alike or differently when ordering.
- Master key type available at surcharge. (Maximum 866 key changes per master key)



Installation



Cut Out Dimensions

Item No.	Metal Thickness	Keys Included	Weight (g)	Box (pcs)	Carton (pcs)
DCY-34	1/32"~1/2" (0.8~13 mm)	2	101	12	60

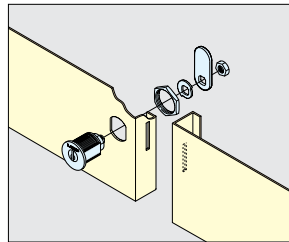
No.	Part Name	Material	Finish
①	Body	Brass	Chrome
②	Cam		Yellow Zinc Chromate
③	Key	Brass/ABS	Nickel/Black

SHEET METAL CAM LOCK



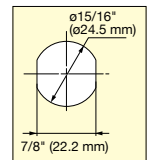
3800S

SHEET METAL CAM LOCKS

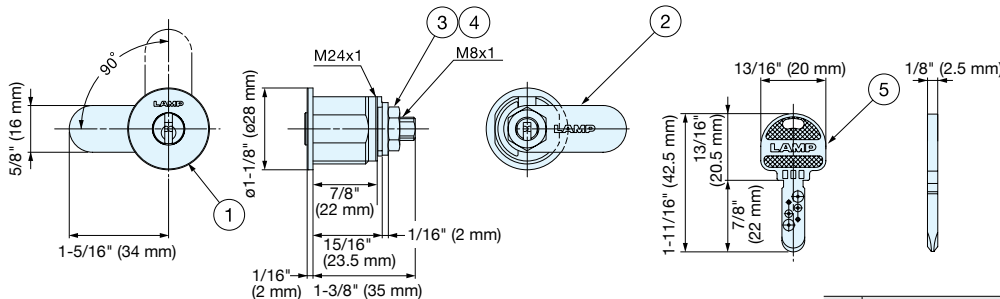


Installation

- High corrosion resistance.
- Reversible key.
- Key is removable in locked position only. (Key works as a knob in unlocked position.)
- Universal direction - Cam direction changeable.
- 300 key changes available; Please specify keyed alike or differently when ordering.
- Master key type available at surcharge.



Cut Out Dimensions



Item No.	Metal Thickness	Keys Included	Weight (g)	Box (pcs)	Carton (pcs)
3800S	3/32"~3/8" (2~10 mm)	2	119	12	60

No.	Part Name	Material	Finish
①	Body	303 Stainless Steel	Satin
②	Cam	304 Stainless Steel	Plain
③	Small Hex Nut	303 Stainless Steel	
④	Washer	304 Stainless Steel	
⑤	Key	Nickel Silver	