

DAMPER CATCH

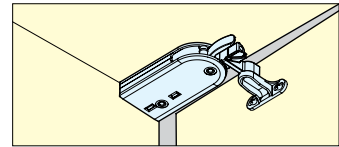
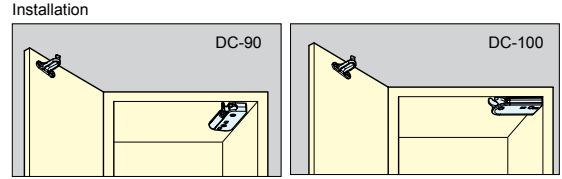
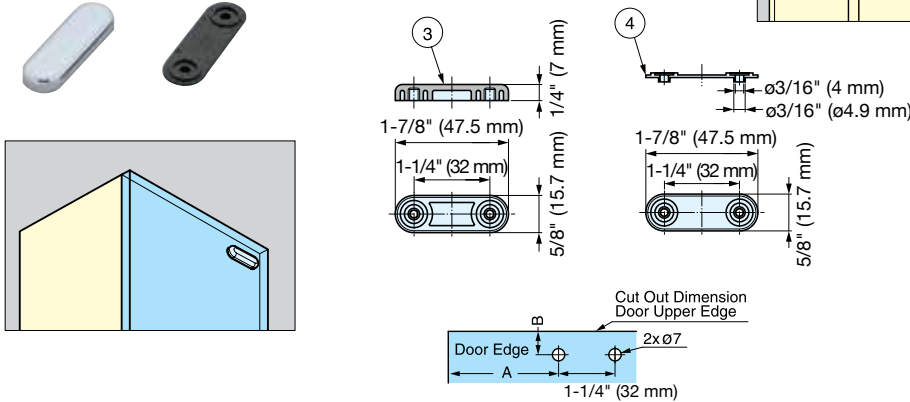


DC

CATCHES & LATCHES

DAMPER CATCHES

- Left- and right-handed catches with built-in damper, closes doors smoothly.
- Slim design suitable for various inset and overlay door installations.
- Available for both wood and glass cabinet doors.
- Glass face plate SDS-50G sold separately.
- Includes screws.

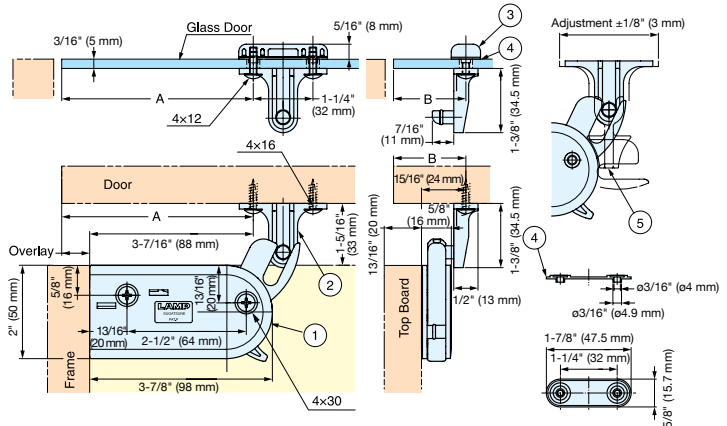
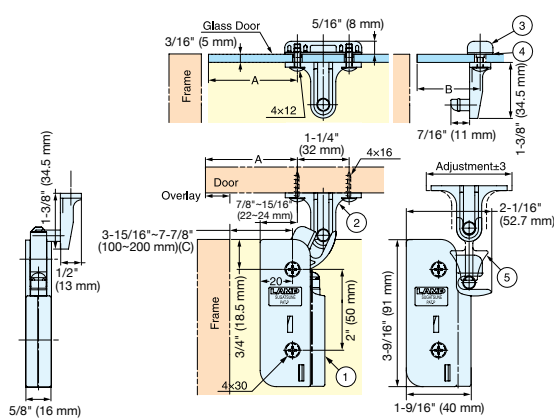


DC-90

Installation Position	A	B
Inset Door	Gap between door 5/16" (8 mm) side board	Gap between door 5/16" (8 mm) side board
Overlay Door	C + Overlay + 1/8" (3 mm)	Overlay + 15/16" (24 mm)

DC-100

Installation Position	A	B
Inset Door	Gap between door 5/16" (8 mm) side board	Gap between 5/16" (8 mm) door side board
Overlay Door	3-7/16" (88 mm) + Overlay	Overlay + 15/16" (24 mm)



Face Plate (Sold Separately)

Item No.	Weight (g)	Box (pcs)
SDS-50G-CR	25	50

No.	Part Name	Material	Finish/Color
①	Body	Polyacetal (POW) / PBT	Dark Grey/Light Grey
②	Trigger	Polyacetal (POW)	Dark Grey
③	Face Plate	Zinc Alloy (ZDC)	Chrome
④	Spacer	ABS	Black
⑤	Trigger Installation Jig	PBT	Light Grey

Item No.	Spec.	Door With (mm)	Door Height (mm)	Door Thickness	Door Weight	Weight (g)	Box (pcs)	Carton (pcs)
DC-90	For Wooden Door	17-3/4" (450 mm)	23-5/8" (600 mm)	-	8.8 lbs (4 kg)	46	25	200
DC-90G	For Glass Door			3/16" (5 mm)		71		
DC-100	For Wooden Door	23-5/8" (600 mm)	31-1/2" (800 mm)	-	15.4 lbs (7 kg)	66		
DC-100G	For Glass Door			3/16" (5 mm)		91		