

CENTER HINGE FOR FOLDING DOORS



CH-75

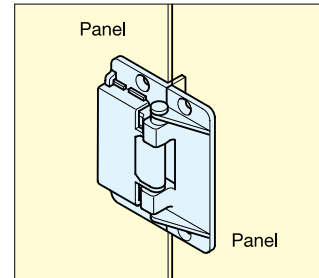
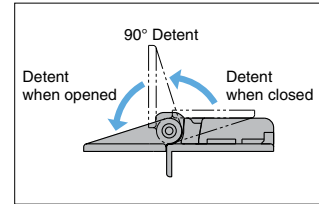
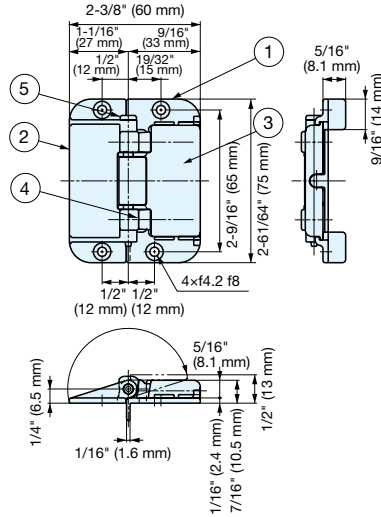
HINGES



CH-75/GB
Bronze



CH-75/NI
Nickel



Installation

Item No.	Weight (g)	Box (pcs)	Carton (pcs)
CH-75/GB	100	42	168
CH-75/NI			

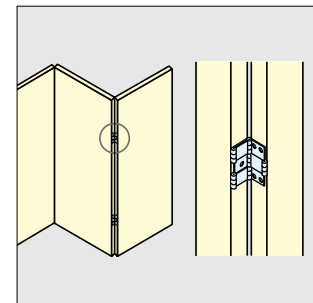
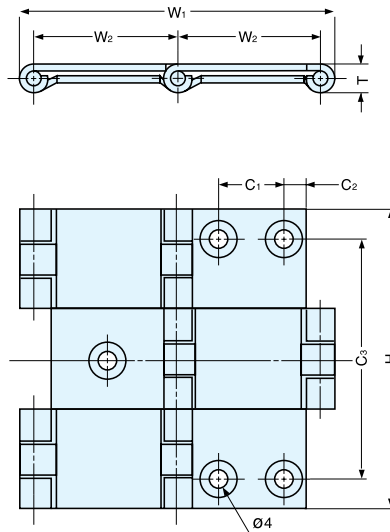
Material	Finish
Zinc Alloy	Bronze (GB) Nickel (NI)
Polyacetal	
Polyamide	

DOUBLE ACTION HINGE



HG-BH

- Opens 180° in both left and right direction.
- Door Size: Max. W17-3/4" x H27-9/16" (W450 x H700 mm)
- Door Weight: Max. 5.7 lbs/pair (2.6 kg/pair).



Installation

Material	Finish
304 Stainless Steel	Satin

Item No.	W ₁	W ₂	T	H	C ₁	C ₂	C ₃	Weight (g)	Box (pcs)	Carton (pcs)
HG-BH60	2-1/2" (64 mm)	1-1/8" (29 mm)	1/4" (5.5 mm)	2-3/8" (60 mm)	1/2" (13.5 mm)	3/16" (4.8 mm)	1-7/8" (47 mm)	65	20	260
HG-BH70	3-1/16" (78 mm)	1-3/8" (35 mm)	5/16" (7.5 mm)	2-3/4" (70 mm)		1/4" (6.8 mm)	2-1/4" (57 mm)	130	10	180
HG-BH80	3-11/16" (94 mm)	1-11/16" (43.2 mm)		3-1/8" (80 mm)	7/8" (22 mm)	1/4" (6.5 mm)	2-5/8" (66 mm)	175		120

CENTER HINGES FOR FOLDING DOORS / DOUBLE ACTION HINGES