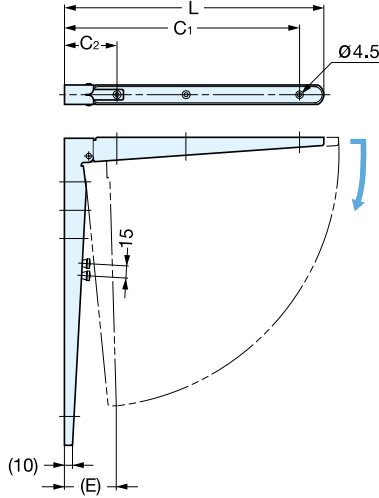


FOLDING BRACKET (W/STOPPER)



BTO



- Folding bracket with manual lock lever.
- Slide the lock lever to lock/unlock in open position.
- Bracket with hinge function in one unit.
- Supplied with white painted screws.

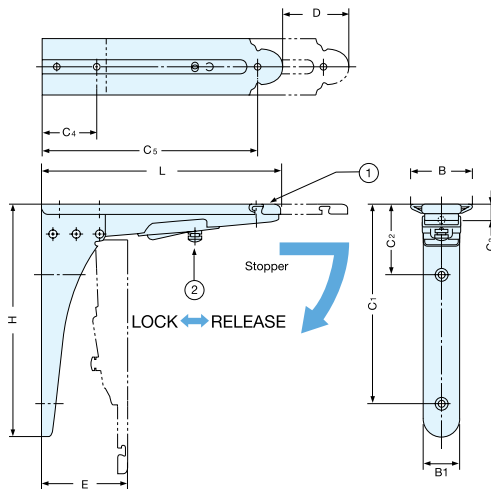
Item No.	L	H	B	(E)	C ₁	C ₂	C ₃	C ₄	C ₅	C ₆	d	t
BTO-300S	9-1/2" (241 mm)	11-13/16" (300 mm)	15/16" (23 mm)	2-1/4" (57 mm)	8-5/16" (211 mm)	2-3/8" (61 mm)	10-5/8" (270 mm)	3-1/8" (80 mm)	2" (50 mm)	-	3/16" (5 mm)	-
BTO-300W												

Item No.	Load Capacity/ pc	Weight (g)	Box (pcs)	Carton (pcs)	NO.	Part Name	Material	Finish/Color
BTO-300S	89.9 lbs (40.8 kg)	510	10	40	①	Body	304 Stainless Steel (S)/Steel (W)	Satin (S)/White (W)
BTO-300W					②	Knob	Brass	Plain

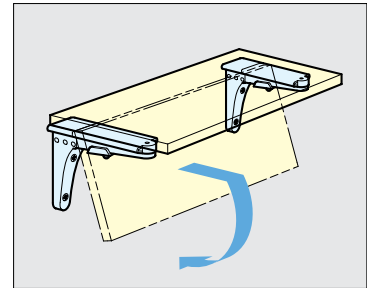
FOLDING BRACKET (W/STOPPER)



BOS



- Folding bracket with locking bracket.
- Slide the locking bracket to lock/unlock in open position.



Installation

NO.	Part Name	Material	Finish/Color
①	Body	304 Stainless Steel	Satin
②	Knob	Brass	Nickel
	Cap	EPDM	Black

Item No.	L	H	B	B1	D	E	C ₁	C ₂	C ₃	C ₄	C ₅	Load Capacity/pc	Weight (g)	Box (pcs)	Carton (pcs)
BOS-180	7-1/8" (181 mm)	7-1/8" (181 mm)	1-13/16" (45.5 mm)	1" (26 mm)	2" (50 mm)	2-9/16" (65 mm)	6-1/8" (155 mm)	2-3/16" (56 mm)	7/16" (11.5 mm)	1-5/8" (42 mm)	6-3/8" (162 mm)	88 lbs (40 kg)	476	1	20
BOS-240	9-7/16" (240 mm)	9-13/16" (250 mm)			2-1/2" (64 mm)	3-3/16" (81 mm)	8-11/16" (220 mm)	2-3/4" (70 mm)	9/16" (15 mm)	3-1/8" (80 mm)	8-7/16" (215 mm)	72 lbs (33 kg)	770		