

# SPRING LOADED BARREL BOLT



## BSS-2

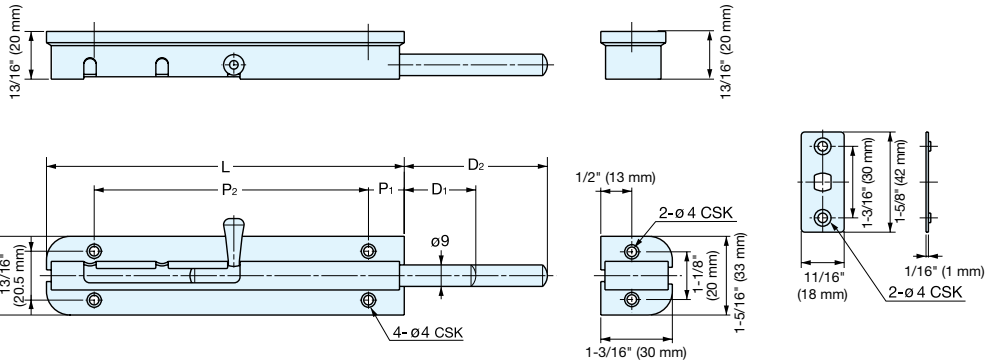


BSS2-150



BSS2-90

- Knob springs back into sleeve to keep bolt in locked or unlocked position.
- Extra sleeve for locking offers flexibility in application.
- Designed for application where longer throw is needed.
- Supplied with mortise and surface strike.



Item No.	L	P <sub>1</sub>	P <sub>2</sub>	D <sub>1</sub>	D <sub>2</sub>	Weight (g)	Box (pcs)	Carton (pcs)
BSS2-900	3-9/16" (90)	1/2" (13)	2-3/8" (60)	13/16" (21)	1-5/8" (42)	140	15	150
BSS2-150	5-15/16" (150)	9/16" (15)	4-1/2" (115)	1-3/16" (30)	2-3/8" (60)	212	10	100

Material	Finish
304 Stainless Steel	Satin

# SPRING LOADED BARREL BOLT

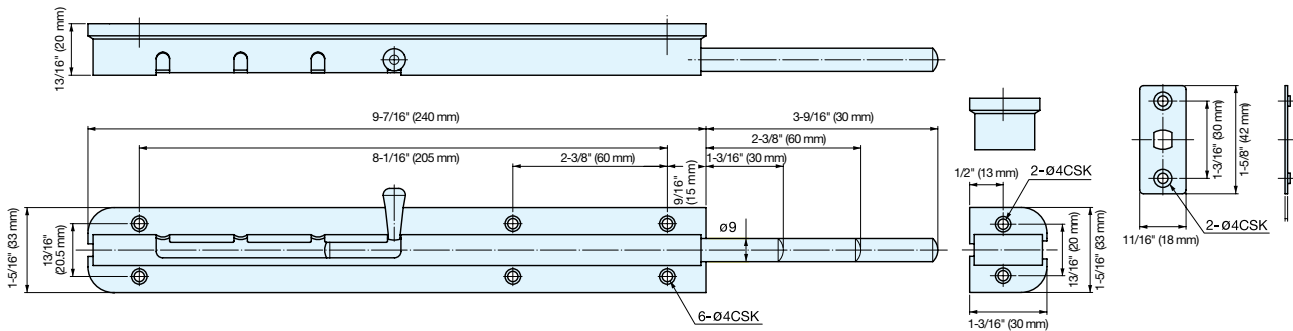


## BSS-3



BSS3-240

- Knob springs back into sleeve to keep bolt in locked or unlocked position.
- Extra sleeves for locking offers flexibility in application.
- Designed for application where longer throw is needed.
- Supplied with mortise and surface strike.



Item No.	Weight (g)	Box (pcs)	Carton (pcs)
BSS3-240	320	6	60

Material	Finish
304 Stainless Steel	Satin