

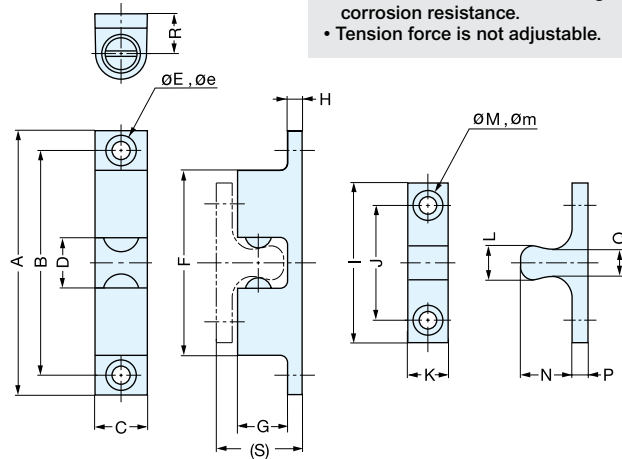
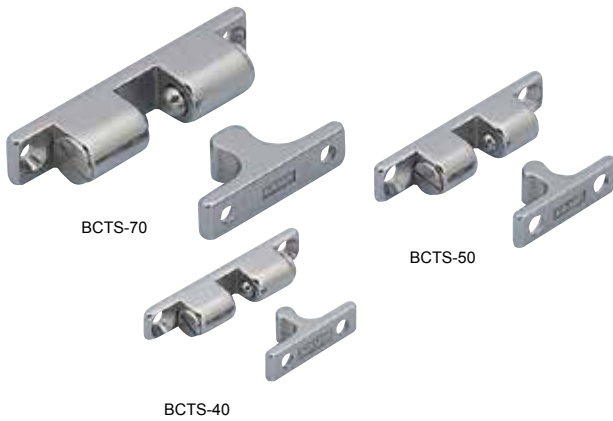
STAINLESS STEEL TENSION CATCH



BCTS

CATCHES & LATCHES

STAINLESS STEEL TENSION CATCHES / ZINC TENSION CATCHES



- 316 stainless steel catch for high corrosion resistance.
- Tension force is not adjustable.

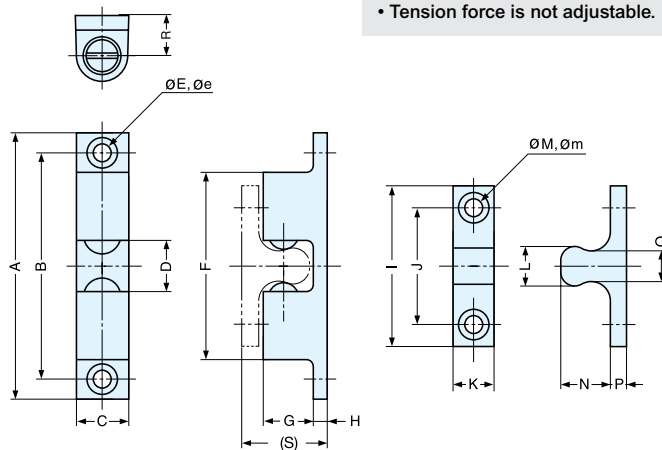
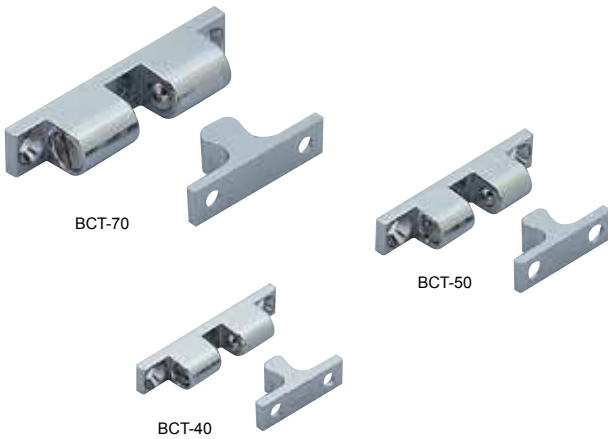
Item No.	A	B	C	D	E	e	F	G	H	I	J	K	L	M	m	N	P	Q	R	(S)
BCTS-40	1-11/16" (43 mm)	1-3/8" (35)	5/16" (8)	1/4" (5.9)	1/8" (3.2)	1/4" (6.2)	1-1/8" 28.4	5/16" (7.5)	1/8" (2.5)	1" (25)	5/8" (16)	5/16" (7.5)	3/16" (4.5)	1/8" (3.2)	1/4" (6.2)	5/16" (8.5)	1/8" (2.5)	1/8" (2.7)	1/4" (6.0)	1/2" (13.5)
BCTS-50	2" (50 mm)	1-9/16" (40)	3/8" (10)	5/16" (7.5)	3/16" (4.2)	5/16" (8.2)	1-1/4" (31.5)	3/8" (9.3)	1/8" (2.9)	1-3/16" (30)	13/16" (20)	3/8" (9.0)	1/4" (6.0)	3/16" (4.2)	5/16" (8.2)	7/16" (10.3)	1/8" (2.9)	1/8" (3.8)	1/4" (7.2)	5/8" (16.1)
BCTS-70	2-3/4" (70 mm)	2-3/8" (60)	1/2" (13)	1/2" (13)	1/2" (13)	1/2" (13)	2" (51)	1/2" (13)	3/16" (4.0)	1-5/8" (42)	1-3/16" (30)	7/16" (10.5)	3/8" (10.0)	3/8" (4.2)	5/16" (8.2)	9/16" (15.0)	3/16" (4.0)	5/16" (8.0)	7/16" (10.5)	15/16" (23.0)

Item No.	Push in Force	Pulling Force	Weight (g)	Box (pcs)	Carton (pcs)	Part name	Material	Finish
BCTS-40	4.4 lbs (2.0 kg)	2.9 lbs (1.3 kg)	18	50	500	Body	316 Stainless Steel	Polished
BCTS-50	5.0 lbs (2.3 kg)	3.9 lbs (1.8 kg)	30			Strike		
BCTS-70	12.5 lbs (5.7 kg)	8.5 lbs (3.9 kg)	83	25	250	Spring	304 Stainless steel	

TENSION CATCH



BCT



- Tension force is not adjustable.

Item No.	A	B	C	D	E	e	F	G	H	I	J	K	L	M	m	N	P	Q	R	(S)
BCT-40	1-11/16" (42.5 mm)	1-3/8" (35)	5/16" (8.0)	1/4" (6.3)	1/8" (3.2)	1/4" (6.2)	1-1/16" (26.7)	5/16" (7.5)	1/8" (2.5)	1" (25 mm)	5/8" (16)	5/16" (7.5)	1/4" (5.5)	1/8" (3.2)	1/4" (6.2)	3/8" (8.8)	1/8" (2.5)	1/8" (3.7)	1/4" (6.25)	9/16" (13.8)
BCT-50	2" (50 mm)	1-9/16" (40)	3/8" (10.0)	5/16" (8.4)	3/16" (4.2)	5/16" (8.2)	1-3/16" (29.8)	3/8" (9.5)	1/8" (3.0)	1-3/16" (30 mm)	13/16" (20)	3/8" (9.0)	5/16" (7.3)	3/16" (4.2)	5/16" (8.2)	3/8" (9.8)	1/8" (2.5)	3/16" (4.7)	5/16" (7.75)	5/8" (15.3)
BCT-70	2-3/4" (70 mm)	2-3/8" (60)	1/2" (13.5)	1/2" (13.0)	1/2" (13)	1/2" (13)	1-15/16" (49.0)	1/2" (13.0)	3/16" (4.0)	1-5/8" (42 mm)	1-3/16" (30)	7/16" (10.5)	7/16" (11.0)	3/8" (4.2)	5/16" (8.2)	9/16" (14.2)	1/8" (3.0)	5/16" (8.2)	7/16" (10.5)	13/16" (21.2)

Item No.	Pulling Force (kg)	Push in Force (kg)	Weight (g)	Box (pcs)	Carton (pcs)	Part name	Material	Finish
BCT-40	3.0 (6.6 lbs)	4.4 (9.7 lbs)	16	100	400	Body & Strike	Zinc Alloy	Chrome
BCT-50	3.3 (7.3 lbs)	4.1 (9.0 lbs)	26			Spring		
BCT-70	3.5 (7.7 lbs)	4.6 (10.1 lbs)	70	50	200	Cover	Brass	Nickel
						Ball	Steel	Polished