

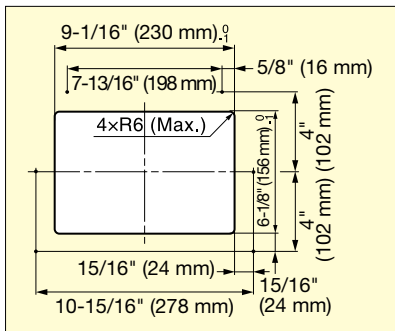
MULTI-PURPOSE LID W/DAMPER



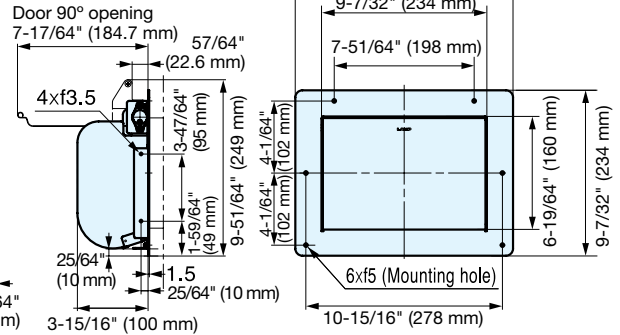
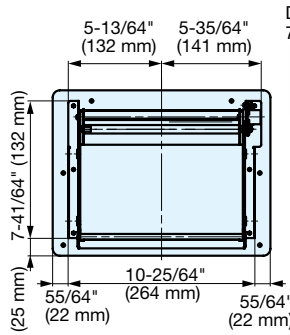
AZ-GD231-HL



- Installed from the inside of the waste box for clean appearance.
- With damper to keep the lid from slamming shut.
- Integrated with anti-pinching plates.
- Corrosion resistant.
- Guide sold separately (AZ-SLP)



Cut Out Dimensions



Item No.	Weight (g)	Box (pcs)	Carton (pcs)	Material	Finish
AZ-GD231-HL	1486	1	10	304 Stainless Steel	Satin

MULTI-PURPOSE LID W/DAMPER



AZ-GD232-HL

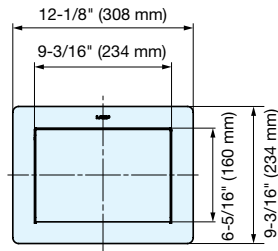
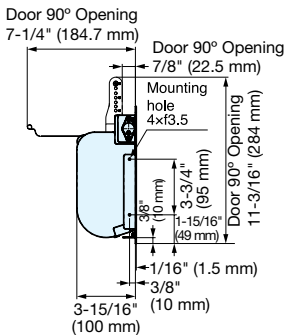
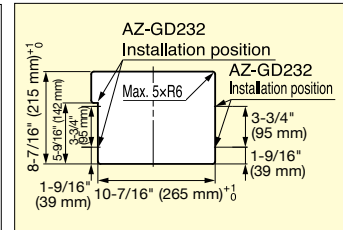


- Able to install the lid up to 45°.
- Inclined mount.
- Easy to adjust angle by changing the weight position.
- Integrated anti-pinching plates.
- Corrosion resistant.
- Guide sold separately.

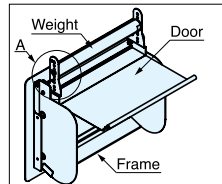
Installation



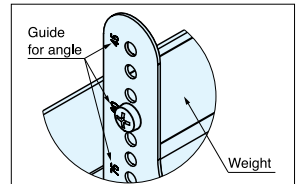
Cut Out Dimensions



How To Adjust Angle



Detail A



Item No.	Weight (g)	Box (pcs)	Carton (pcs)	Material	Finish
AZ-GD232-HL	2200	1	10	304 Stainless Steel	Satin